

"THE MATERIAL HEREIN IS FOR INFORMATION PURPOSES ONLY AND IS SUBJECT TO CHANGE WITHOUT NOTICE. DIGITAL EQUIPMENT CORPORATION ASSUMES NO RESPONSIBILITY FOR ANY ERRORS WHICH MAY APPEAR HEREIN."

# FIELD MAINTENANCE PRINT SET

"THIS DRAWING AND SPECIFICATIONS, HEREIN, ARE THE PROPERTY OF DIGITAL EQUIPMENT CORPORATION AND SHALL NOT BE REPRODUCED OR COPIED OR USED IN WHOLE OR IN PART AS THE BASIS FOR THE MANUFACTURE OR SALE OF ITEMS WITHOUT WRITTEN PERMISSION. COPYRIGHT © 1977 DIGITAL EQUIPMENT CORPORATION."

## TABLE OF CONTENTS

FIELD MAINTENANCE PRINT SET  
RL01 DISK DRIVE ASSEMBLY  
RL01 SYSTEM CABLING

B-TC-RL01-0-1  
E-UA-RL01-0-0 (Sheets 1,2 & 3 Only)  
D-IC-RL01-0-3 (Sheet 2 Only)

POWER PANEL ASSEMBLY

D-AD-7012130-0-0

READ/WRITE BOARD

D-UA-5413536-0-0 (Sheet 1 only)  
B-PL-5413536-0-0  
D-CS-5413536-0-1

FRONT PANEL

D-UA-5411846-0-0 (Sheet 1 only)  
B-PL-5411846-0-0  
D-CS-5411846-0-1

AC SERVO

D-UA-5411848-0-0 (Sheet 1 only)  
K-PL-5411848-0-DBP  
D-CS-5411848-0-1

DC SERVO AND POWER BOARD

D-UA-5413534-0-0 (Sheet 1 only)  
K-PL-5413534-0-DBP  
D-CS-5413534-0-1

DRIVE LOGIC

D-UA-5414025-0-0 (Sheet 1 only)  
K-PL-5414025-0-DBP  
D-CS-5414025-0-1

UNIT VARIATIONS  
COVERED BY THIS  
PRINT SET

RL01-A

RL01/RL02

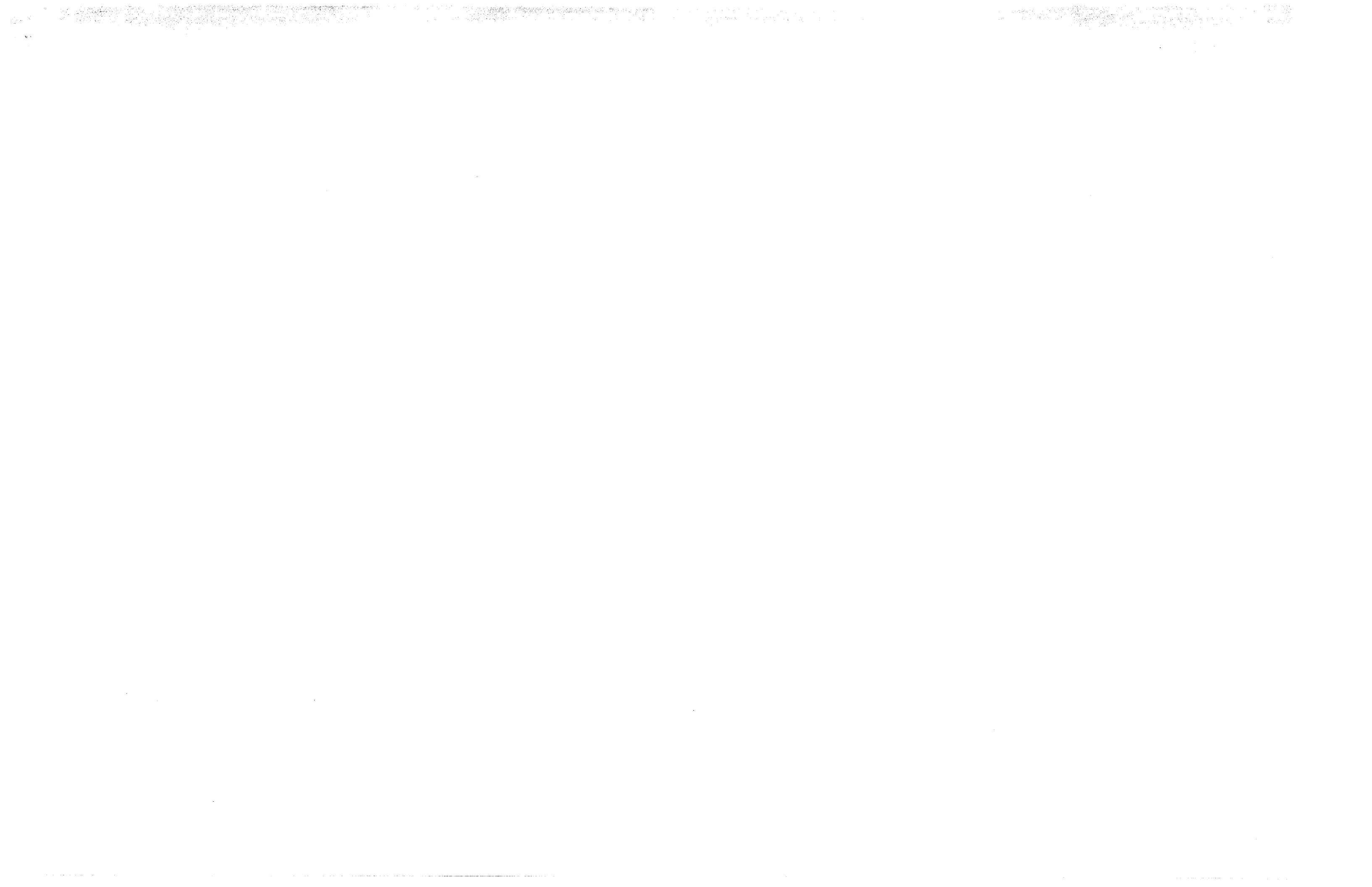
Field Maintenance  
Print Set

Digital Equipment  
Corporation

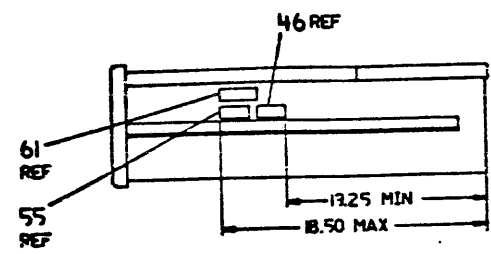
PRINT SET NO.  
MP00347

REVISIONS		CHG. NO.	REV				USED ON OPTION/MODEL	DRN.	DATE	TITLE: RL01 DISK DRIVE			
DATE	W.C.M. 26 JUL 79	REDRAWN # PER ECO RL01-CX036 M. BROWN	D	RL01- CX039 M. ZARICH	E	RL01- CX040 M. ZARICH	F	G. SCHNEIDER	20-OCT-77	digital			
	RPM 11 OCT 79						G. RICHENBERG	20-OCT-77					
	RPM 22 OCT 79						P. ARNOLD	20-OCT-77	SIZE	CODE	NUMBER	REV.	
							J. REED	21-OCT-77	B	TC	RL01-0-1	F	
							SHEET 1 OF 1	DIST.					

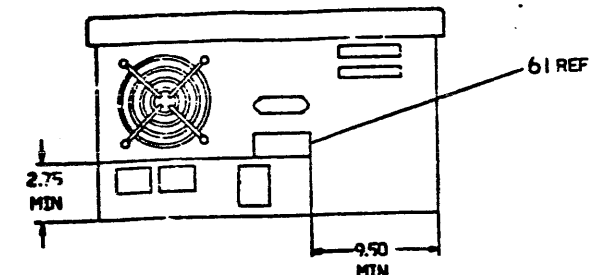
SIZE CODE NUMBER  
B | TC | RL01-0-1  
REV. 1 F



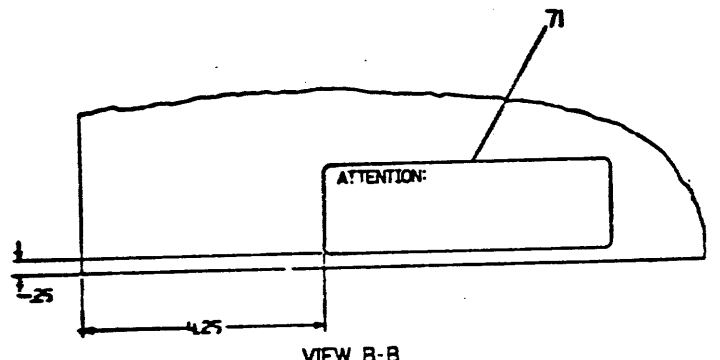
Small text block in the top left corner, likely a title or revision note.



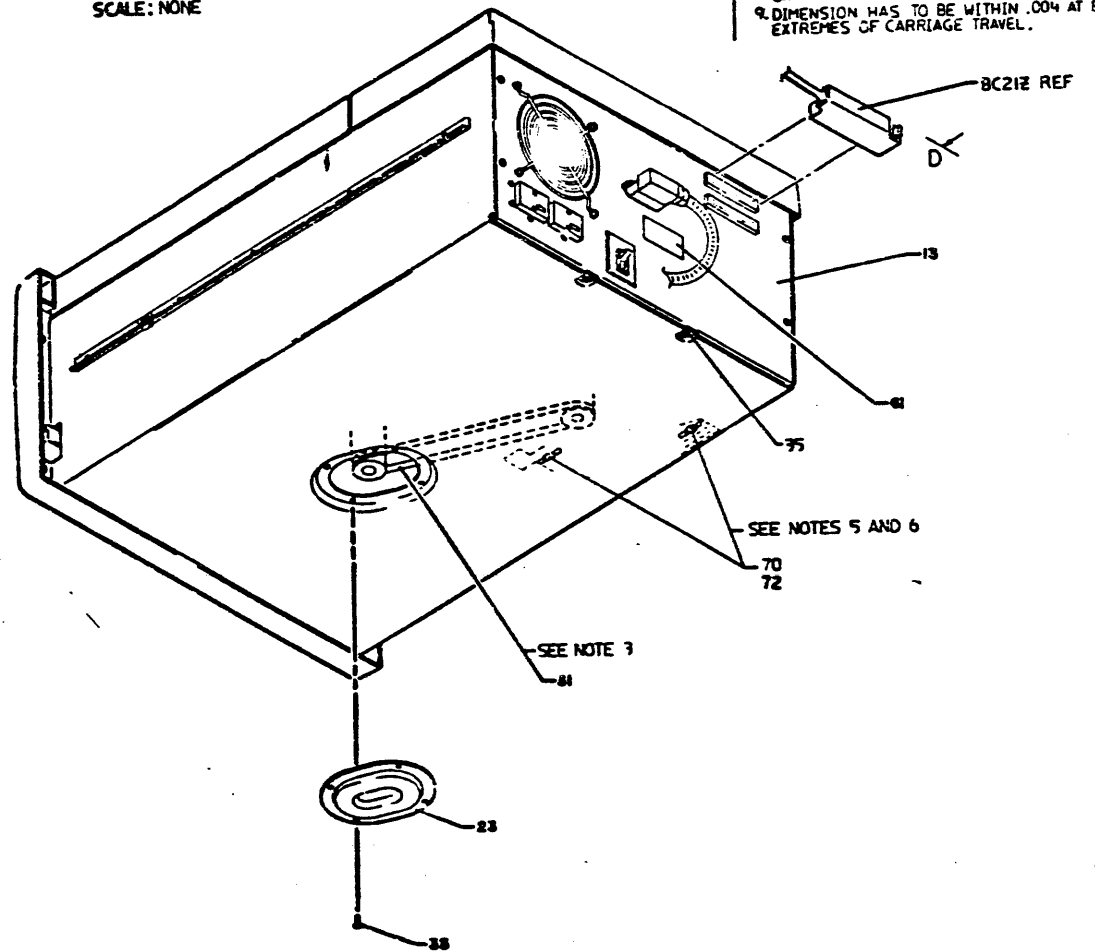
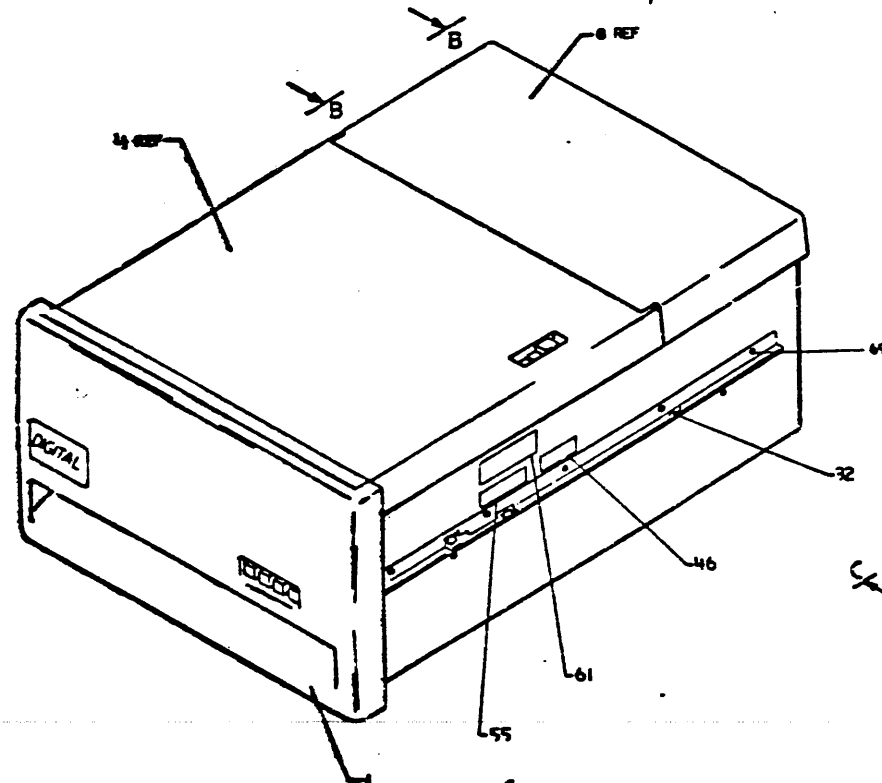
VIEW C-C  
SCALE: NONE



VIEW D-D  
SCALE: NONE



VIEW B-B



- NOTES:
1. LOWER HEAD (ITEM 65) SHALL BE POSITIONED REARWARDS AGAINST PW IN CARRIAGE
  2. ALL SCREWS TO BE TIGHTENED AS FOLLOWS:  
 4-40 SCREW, TORQUE 3.5 ± 0.5 IN LBS  
 8-32 : : 5.0 ± 1.0 :  
 8-32 : : 10.0 ± 1.0 :  
 10-32 : : 16.0 ± 2.0 :
  3. DRIVE BELT TENSION 10.0 ± 1.0 LBS
  4. 4-40 HEAD MTG BOLTS TO BE TIGHTENED TO 5.0 ± 0.5 IN LBS.
  5. TORQUE 8-32 SELF TAPPING HARDWARE (ITEM 70) TO 16-18 IN-LBS.
  6. BLOWER HOUSING SECURING HARDWARE TO BE REMOVED BEFORE OPERATING UNIT.
  7. DIMENSION APPLIES TO HIGHEST OR LOWEST POINT ALONG BRUSH ARM OR BLOCK OF BRUSH.
  8. THREE (3) TOOLING POINTS, SEE DRAWING 7416846 OR 7415237.
  9. DIMENSION HAS TO BE WITHIN .004 AT BOTH EXTREMES OF CARRIAGE TRAVEL.

CAUTION: OFF-SHEET PARTS LIST EXISTS.  
SEE K-PL-RL(1)-B-DSP (21720).

REV	A	B	C	D	E	F	G	H	J	K	L	M	N	P	R	S	T	U	V	W	Y	Z	AA	AB	AC	AD	AE
RELEASED BY																											
DATE																											

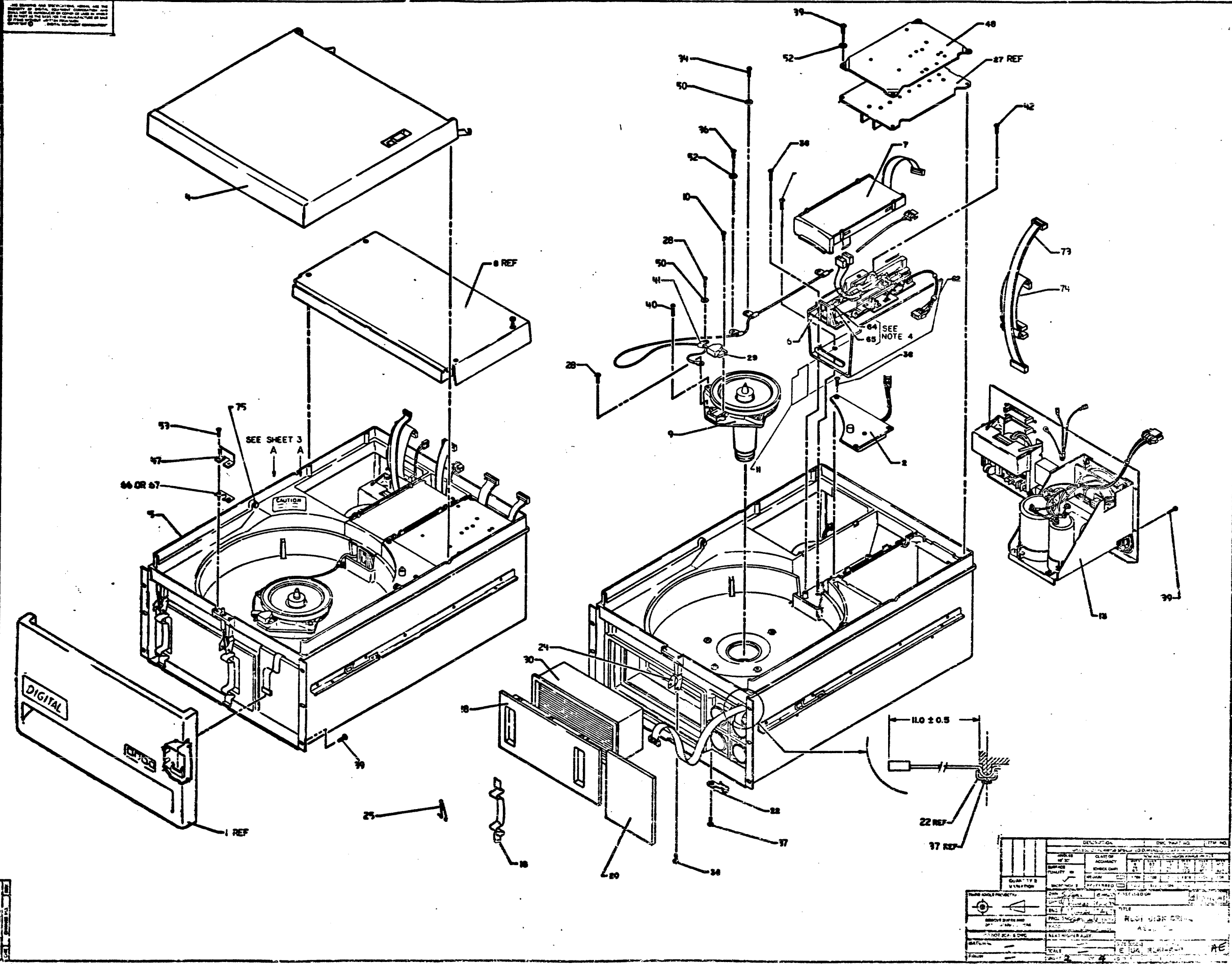
ASSEMBLY CHECK SHEET

ITEM NO.	DESCRIPTION	QTY	UNIT	STATUS

DATE: \_\_\_\_\_

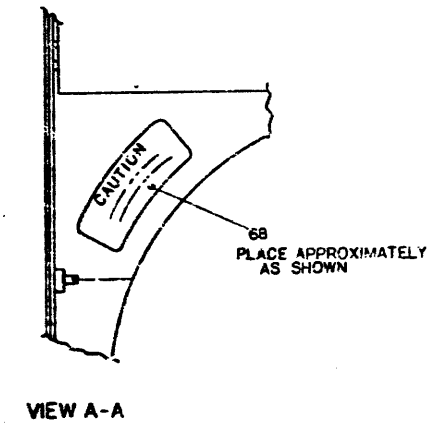
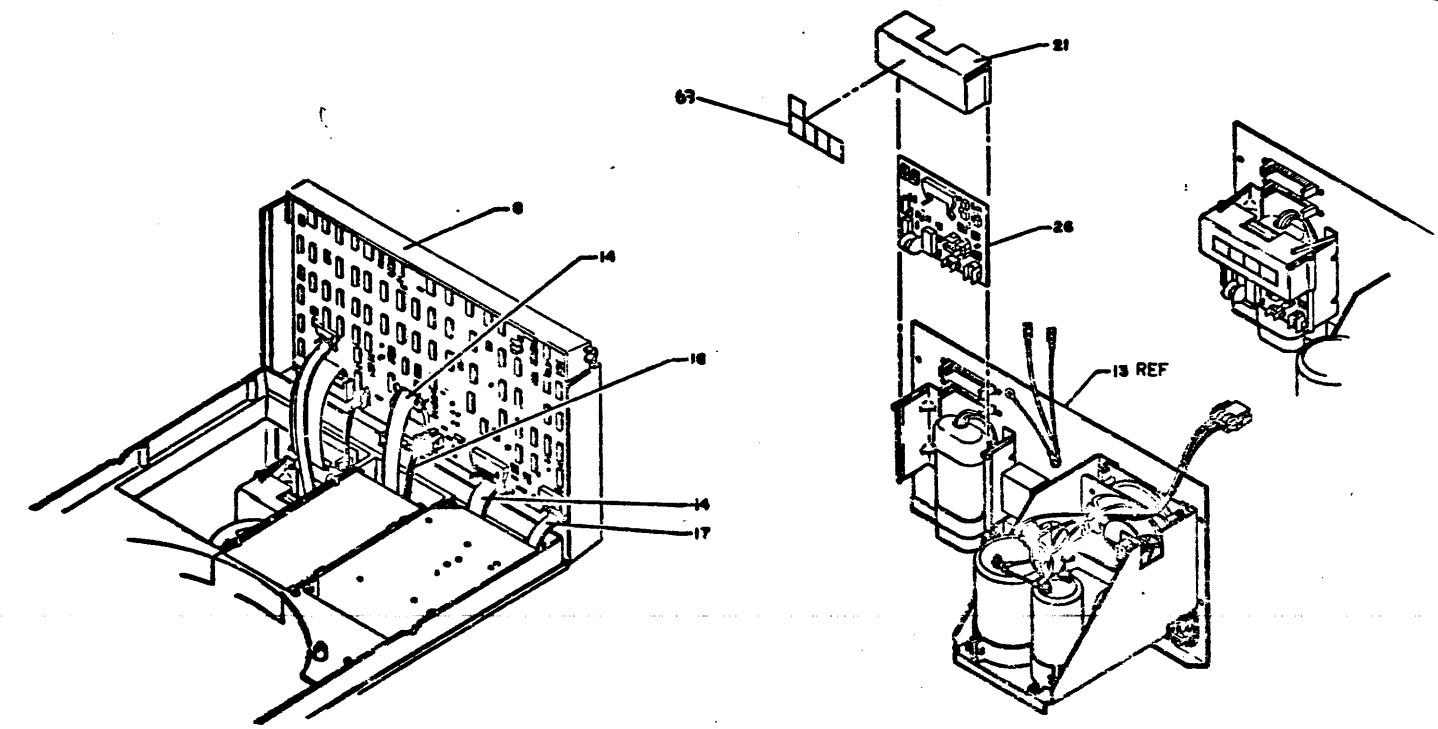
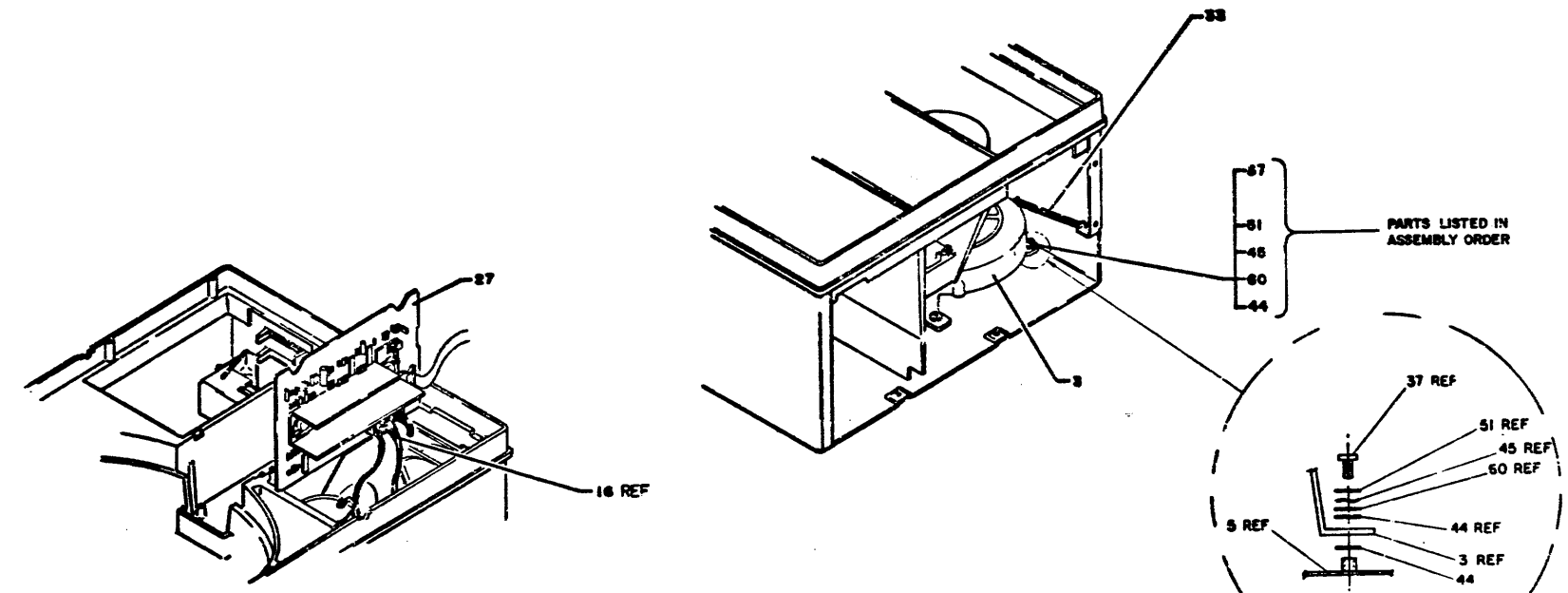
BY: \_\_\_\_\_

ALL DIMENSIONS AND SPECIFICATIONS APPLY UNLESS OTHERWISE SPECIFIED. DIMENSIONS GIVEN IN PARENTHESES ARE FOR INFORMATION ONLY. DIMENSIONS IN PARENTHESES ARE NOT TO BE USED FOR FABRICATION OR ASSEMBLY. DIMENSIONS IN PARENTHESES ARE NOT TO BE USED FOR FABRICATION OR ASSEMBLY.



REVISIONS		DESCRIPTION	DATE	BY	CHKD
1					
2					
3					
4					
5					
6					
7					
8					
9					
10					
11					
12					
13					
14					
15					
16					
17					
18					
19					
20					
21					
22					
23					
24					
25					
26					
27					
28					
29					
30					
31					
32					
33					
34					
35					
36					
37					
38					
39					
40					
41					
42					
43					
44					
45					
46					
47					
48					
49					
50					
51					
52					
53					
54					
55					
56					
57					
58					
59					
60					
61					
62					
63					
64					
65					
66					
67					
68					
69					
70					
71					
72					
73					
74					
75					
76					
77					
78					
79					
80					
81					
82					
83					
84					
85					
86					
87					
88					
89					
90					
91					
92					
93					
94					
95					
96					
97					
98					
99					
100					

THIS DRAWING AND SPECIFICATIONS, UNLESS AND UNLESS OTHERWISE SPECIFIED, SHALL BE SUBJECT TO THE REVISIONS AND AMENDMENTS WHICH MAY BE MADE FROM TIME TO TIME BY THE AUTHORITY OF THE CONTRACTING OFFICER.

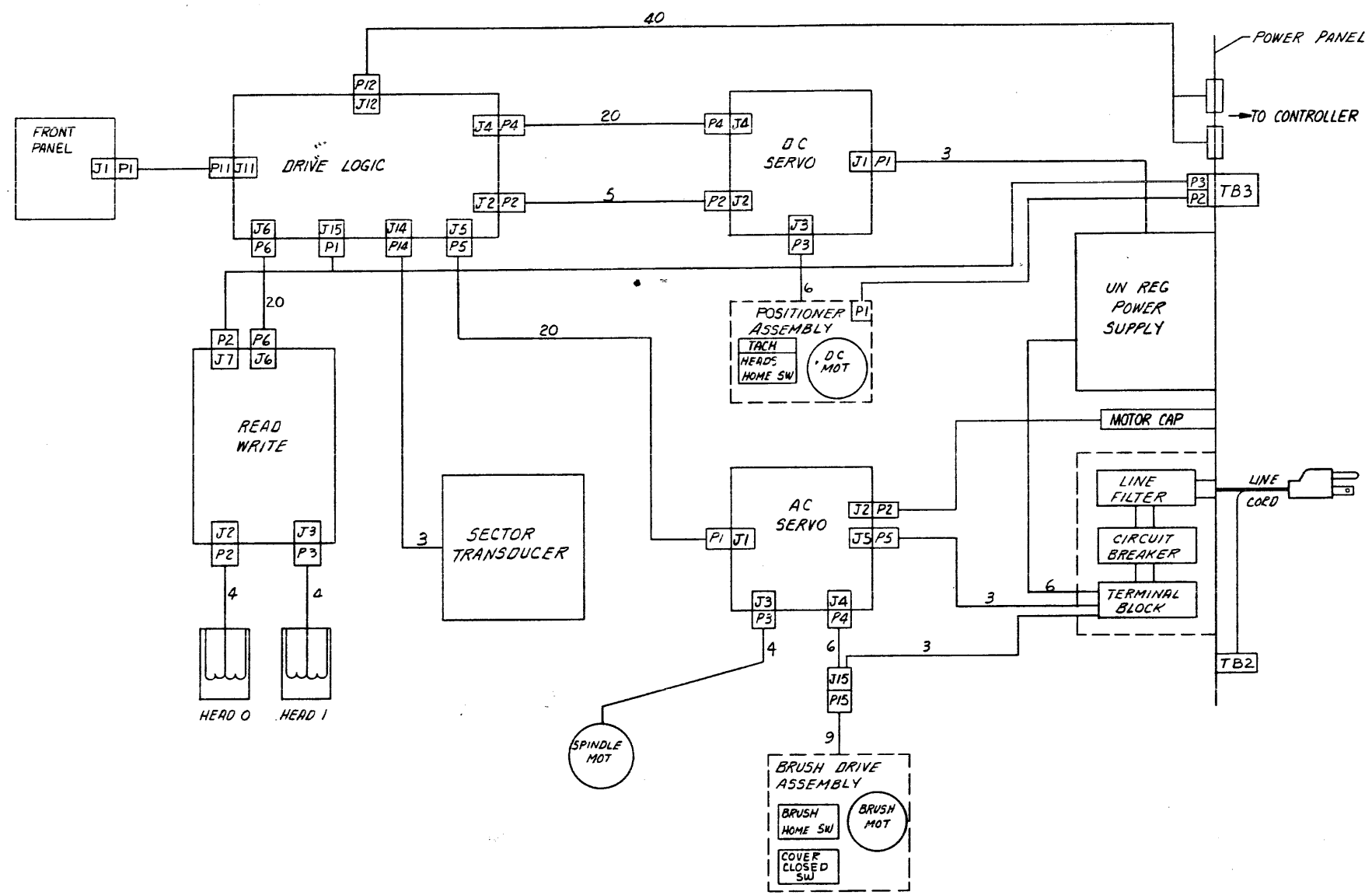


REV.	DESCRIPTION	DATE	BY	CHKD.	APP.	ITEM NO.
1	INITIAL RELEASE					
2	REVISION					
3	REVISION					
4	REVISION					

QUANTITY	1	DESCRIPTION	ALUMINUM HOUSING
QUALITY	AS	REVISION	1
PREPARED	BY	DATE	10/10/50
APPROVED	BY	DATE	10/10/50
MATERIAL			
2 on 101-00			

THIS DRAWING AND SPECIFICATIONS HEREIN ARE THE PROPERTY OF DIGITAL EQUIPMENT CORPORATION AND SHALL NOT BE REPRODUCED OR COPIED OR USED IN WHOLE OR IN PART AS THE BASIS FOR THE MANUFACTURE OR SALE OF ITEMS WITHOUT WRITTEN PERMISSION.  
 COPYRIGHT © 1978, DIGITAL EQUIPMENT CORPORATION

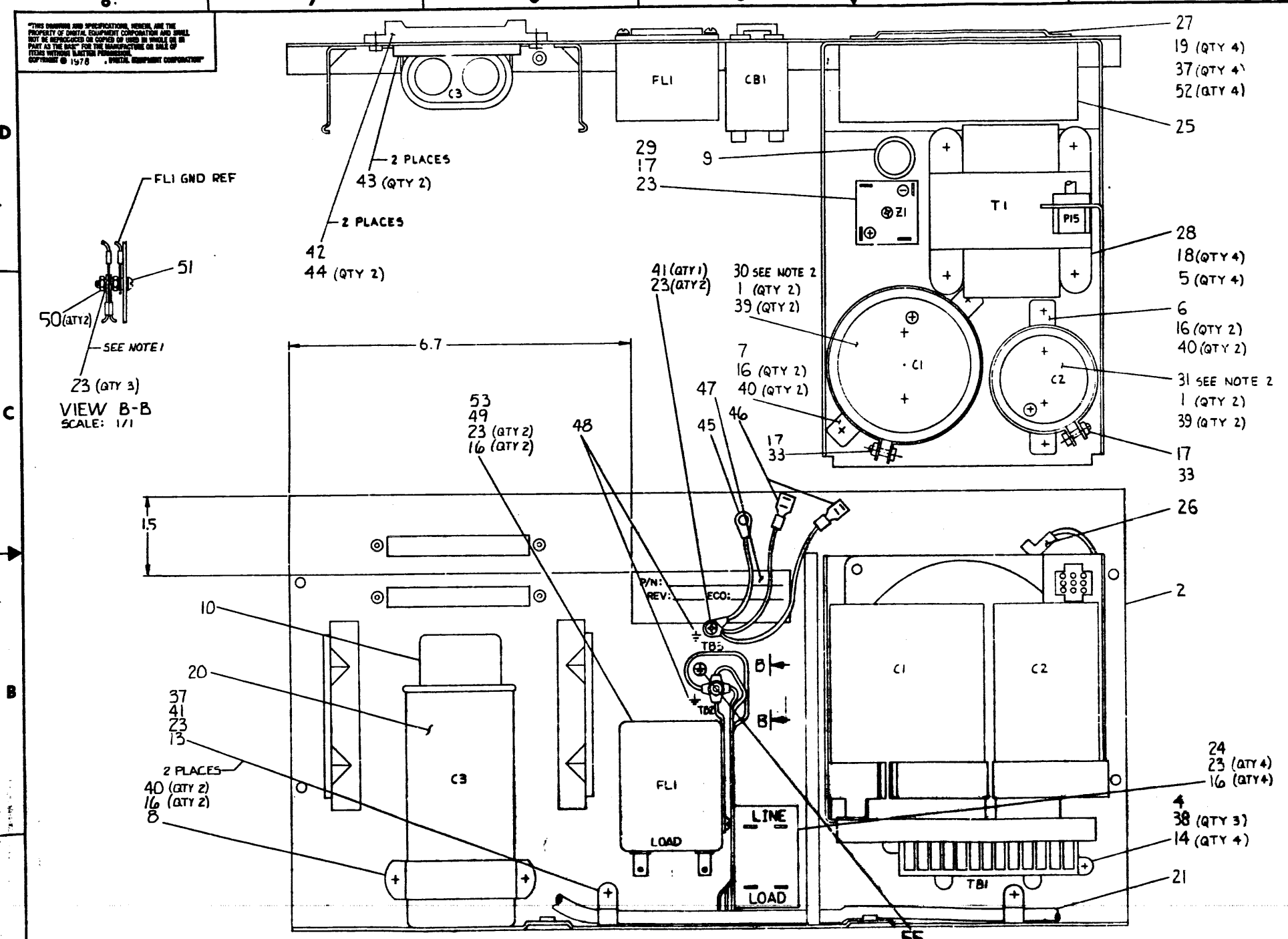


DESCRIPTION		DWG./PART NO.	ITEM NO.
UNLESS OTHERWISE SPECIFIED DIMENSIONS ARE IN INCHES			
ANGLES ±0° 30'	CLASS OF ACCURACY	NOMINAL DIMENSION RANGE INCHES	
SURFACE QUALITY IN	(CHECK ONE)	OVER 0 TO 0.2	OVER 0.2 TO 1.2
QUANTITY & VARIATION	MEDIUM	OVER 1.2 TO 4.0	OVER 4.0 TO 12.0
MICROINCHES	PREFERRED	OVER 12.0 TO 40.0	OVER 40.0 TO 80.0
THIRD ANGLE PROJECTION	DRN. <i>R. J. ...</i> 9-27-77	FIRST USED ON	RL01
REMOVE BURRS AND BREAK SHARP CORNERS	CHK'D <i>[Signature]</i> 9-27-77	TITLE	RL01 SYSTEM CABLING
DO NOT SCALE DWG	PRJ. ENG. <i>[Signature]</i> 9-27-77	SIZE	D
MATERIAL	PROD. <i>[Signature]</i> 9-27-77	CODE	IC
FINISH	NEXT HIGHER ASSY.	NUMBER	RL01-0-3
		REV.	D
		SHEET	2 OF 2
		DIST.	

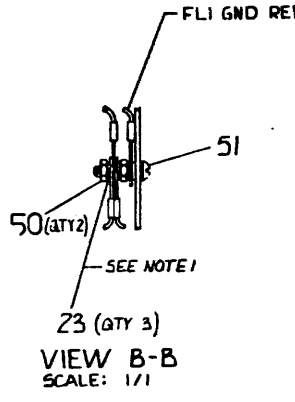
REV.	CHANGE NO.

THIS DRAWING AND SPECIFICATIONS HEREBY ARE THE PROPERTY OF DIGITAL EQUIPMENT CORPORATION AND SHALL NOT BE REPRODUCED OR COPIED OR USED IN WHOLE OR IN PART AS THE BASIS FOR THE MANUFACTURE OR SALE OF ITEMS WITHOUT WRITTEN PERMISSION. COPYRIGHT © 1978, DIGITAL EQUIPMENT CORPORATION.

2 AD 7012130-0-0



NOTES:  
 1. INT TOOTH LOCK WASHERS (ITEM 23) ARE USED OVER AND UNDER GROUND TERMINALS.  
 2. ORIENT TERMINALS AS SHOWN.



CAUTION: OFF SHEET PARTS LIST EXISTS. SEE K-PL-7012130-0-DBP(Z0849). (FILE NAME Z0849 REV. Z EXHAUSTED REVISION SYSTEM; REPLACED WITH FILE NAME Z8193).

REV.	CHANGE NO.	DESCRIPTION	DATE
A	1	RELEASED AT REV. A	
B	2	7012130-0001 G. REICHENBERG	
C	3	7012130-0002 G. SCHNEIDER	
D	4	RL01-0009 G. SCHNEIDER	
E	5	7012130-0003 K. GUENZEL	
F	6	7012130-0004 G. REICHENBERG	
G	7	7012130-0005 G. REICHENBERG	
H	8	RL01-CZ018 K. GUENZEL	
I	9	7012130-0006 K. GUENZEL	
J	10	7012130-0007 K. GUENZEL	
K	11	7012130-0008 K. GUENZEL	
L	12	7012130-0009 K. GUENZEL	
M	13	7012130-0010 K. GUENZEL	
N	14	7012130-0011 K. GUENZEL	
P	15	7012130-0012 K. GUENZEL	
R	16	RL02-CX008 K. GUENZEL	
S	17	7012130-0013 K. GUENZEL	
T	18	RL02-CX009 K. GUENZEL	
U	19	7012130-0014 K. GUENZEL	
V	20	7012130-0015 K. GUENZEL	
W	21	7012130-0016 K. GUENZEL	
X	22	7012130-0017 K. GUENZEL	
Y	23	7012130-0018 K. GUENZEL	
Z	24	7012130-0019 K. GUENZEL	
AA	25	7012130-0020 K. GUENZEL	

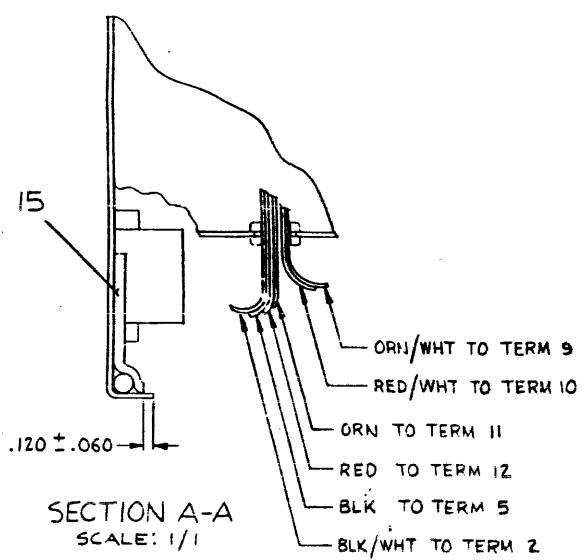
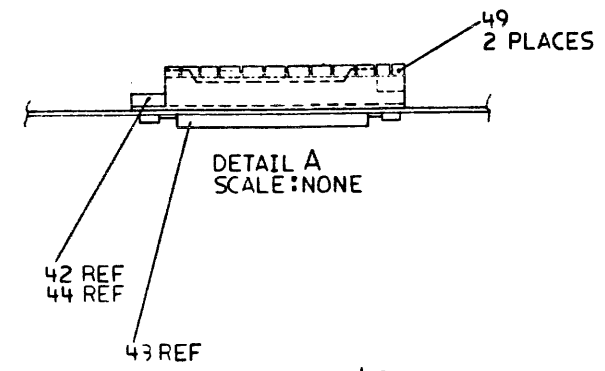
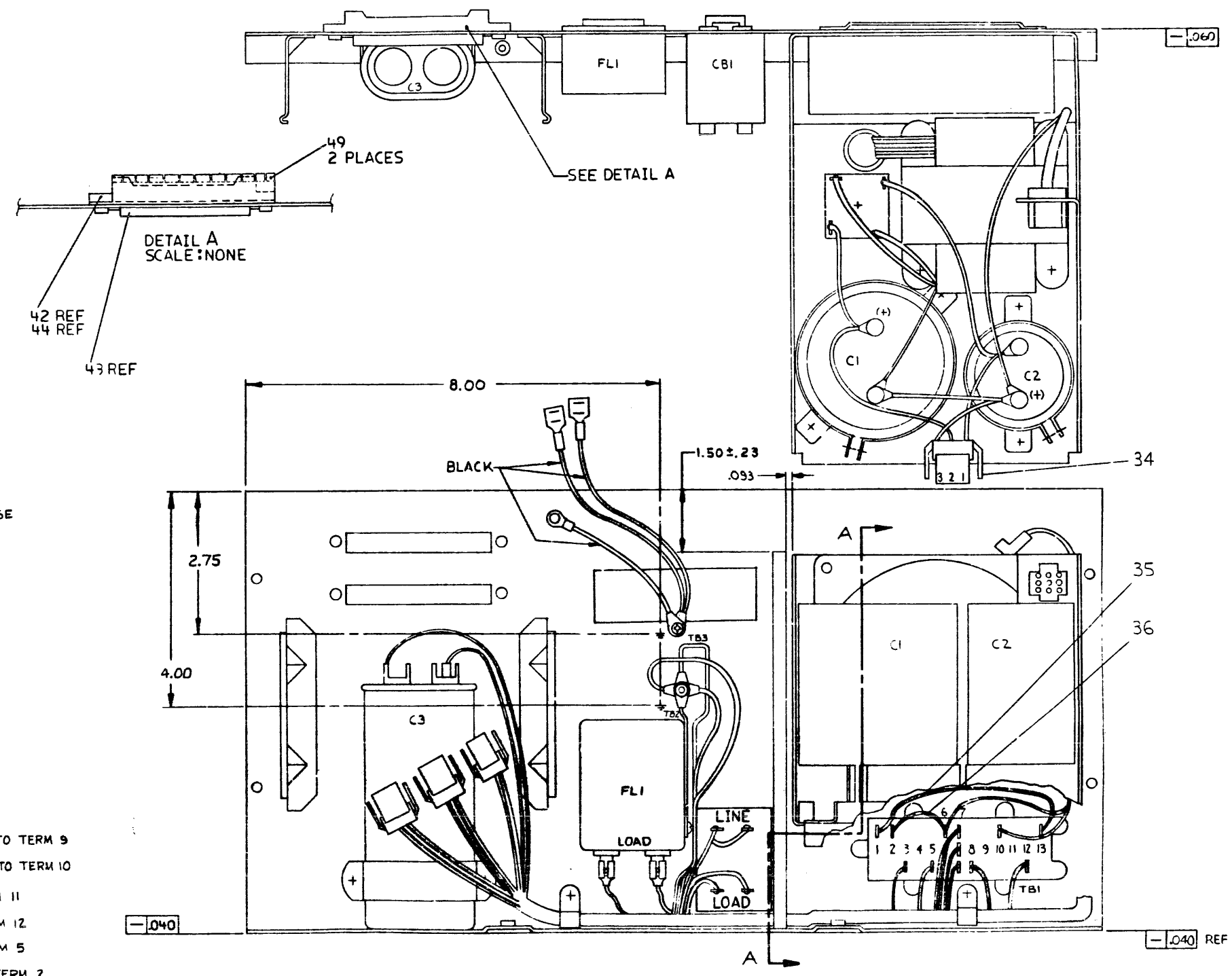
QUANTITY & VARIATION		DESCRIPTION	DWG. PART NO.	ITEM NO.
1	1	POWER PANEL ASSEMBLY	AD 7012130-0-0	AA
2	4	INT TOOTH LOCK WASHERS	23	
3	4	...	37	
4	4	...	52	

D-AD-7012130-0-0 SHT 1

THIS DRAWING AND SPECIFICATIONS HEREIN ARE THE PROPERTY OF DIGITAL EQUIPMENT CORPORATION AND SHALL NOT BE REPRODUCED OR COPIED OR USED IN WHOLE OR IN PART AS THE BASIS FOR THE MANUFACTURE OR SALE OF ITEMS WITHOUT WRITTEN PERMISSION. COPYRIGHT © 1976 DIGITAL EQUIPMENT CORPORATION

NOTES:

- INPUT VOLTAGE 50 OR 60 HZ  
90-105, 100-128 VAC  
180-210, 200-256 VAC
- OUTPUT VOLTAGE  $\pm 11.5$  VDC MIN AT MIN POINT OF THE RIPPLE. 18 VDC MAX AT HIGH LINE. (MAX OF 25 VDC AT HIGH LINE NO LOAD).
- OUTPUT CURRENT: POSITIVE OUTPUT  
2.5 AMP CONTINUOUS  
3.5 AMP PULSE "25 MS"  
NEGATIVE OUTPUT  
.25 AMP CONTINUOUS  
3.5 AMP PULSE "25 MS"  
PULSE CURRENT ON ALTERNATE OUTPUT AT A 65 MS OUT CYCLE.
- OUTPUT RIPPLE AT 110 VOLTS  
A. NO LOAD 100 MV P/P  
B. +2.5 A 600 MV P/P  
-.25 A 300 MV P/P  
C. +2.5 A 600 MV P/P  
-3.75 A 1.5 V DURING PULSE  
RIPPLE AT 90 V RMS  
+2.5 A 500 MV  
-3.75 A 2V  
+6 A 900 MV  
-.25 A 400 MV
- HIGH POT TEST PER UL 478  
CONNECT BOTH AC LEADS TO THE POSITIVE TERMINAL OF THE SUPPLY AND GRN WIRE GROUND TO THE NEGATIVE TERMINAL OF THE SUPPLY. CLOSE CIRCUIT BREAKER AND INCREASE VOLTAGE TO 1750 VDC, ANY CURRENT INDICATES FAILURE.



DAD-7012130-0-0 SHT 2

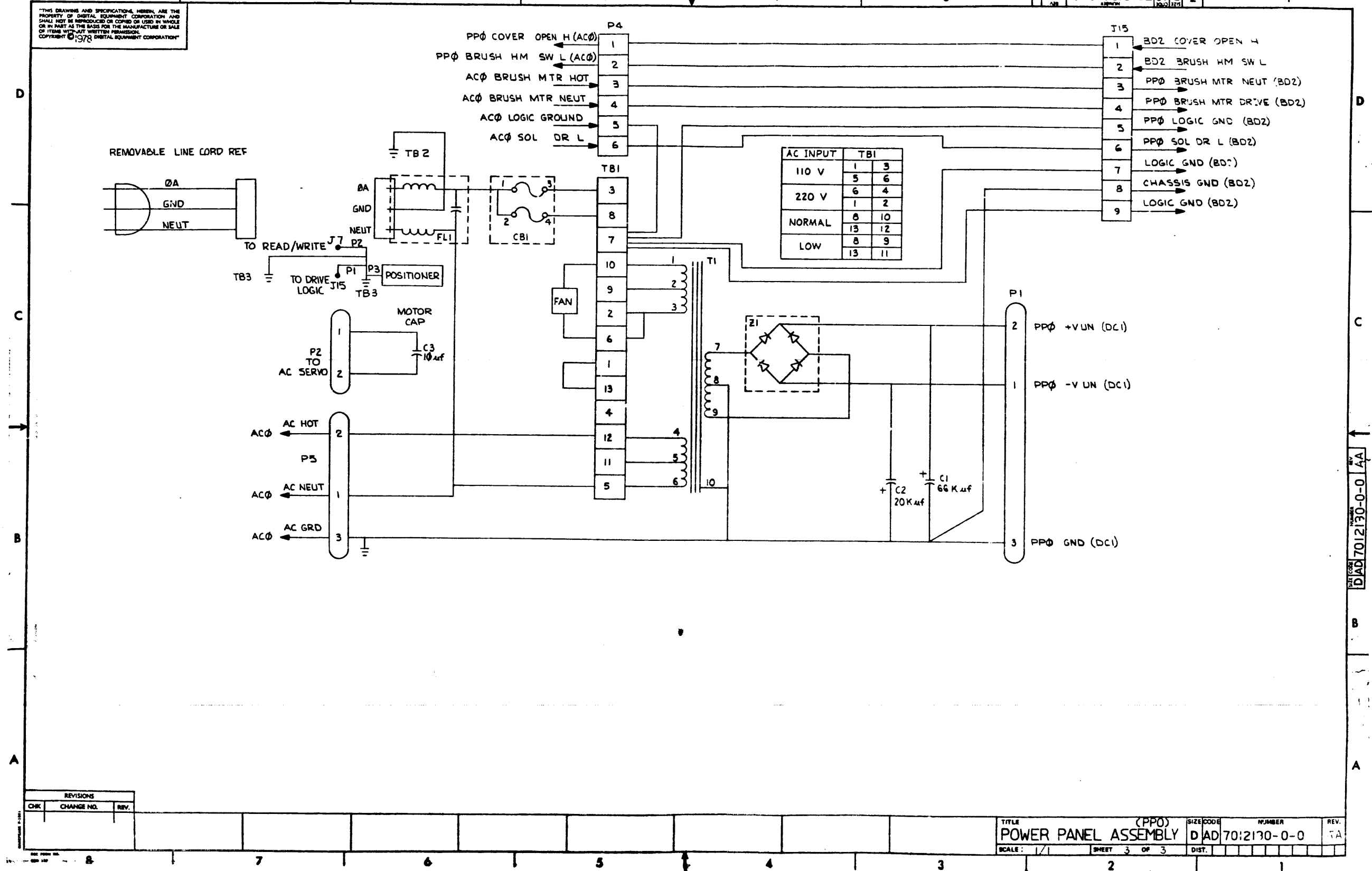
REVISIONS		
CHK	CHANGE NO.	REV.

TITLE	SIZE CODE	NUMBER	REV.
POWER PANEL ASSEMBLY	DAD 7012130-0-0	AA	AA
SCALE: 1/1	SHEET 2 OF 3	DIST.	



THIS DRAWING AND SPECIFICATIONS HEREON ARE THE PROPERTY OF DIGITAL EQUIPMENT CORPORATION AND SHALL NOT BE REPRODUCED OR COPIED OR USED IN WHOLE OR IN PART AS THE BASIS FOR THE MANUFACTURE OR SALE OF ITEMS WITHOUT WRITTEN PERMISSION. COPYRIGHT © 1978 DIGITAL EQUIPMENT CORPORATION

DAD70:2130-0-0 2



REVISIONS		
CHK	CHANGE NO.	REV.

TITLE	(PPØ)	SIZE CODE	NUMBER	REV.
POWER PANEL ASSEMBLY	DAD70:2130-0-0	TA	3 OF 3	
SCALE: 1/1	SHEET 3 OF 3	DIST.		

D-AD-70:2130-0-0  
SHT 3



LINE	ITEM	DOCUMENT NUMBER	PART NUMBER	DESCRIPTION	QTY	PER VARIATION	REFERENCE DESIGNATOR
					00		
1	1	D-MD-5013535-0-0	5013535-00	ETCHED CIRCUIT BD	1		
2	2		1001610-00	.01 MFD 50V +80-20% Z5U CER	17		C9-C12, C21, C23, C26, C29-C37, C42
3	3		1005306-00	6.8MFD 35V 10% S.TANT	4		C20, C22, C25, C28
4	4		1013466-14	82.0 MMF 50V 5% CER	2		C16, C43
5	5		1013466-06	100.0 MMF 50V 5% CER	1		C8
6	6		1013466-05	56.0 MMF 50V 5% CER	1		C5
7	7		1013466-07	220.0 MMF 50V 5% CER	5		C1, C2, C4, C17, C39
8	8		1013466-09	1000.0 MMF 50V 10% X7R CER	1		C18
9	9		1013466-11	.22 MFD 50V +80-20% Z5U CER	2		C24, C27
10	10		1013466-15	1200.0 MMF 50V 10% CER	3		C19, C40, C41
11	11		1109943-00	1N 4733A VZ= 5.1 5% 1W Y	2		D16, D22
12	12		1113953-00	1N 5523D VZ= 5.1 1%	1		D1
13	13		1100122-00	1N 748A VZ= 3.9 5%	1		D19
14	14		1111577-00	1N 4454 TR= 4NS PIV= 50 S	11		D5-D10, D15, D20, D21, D23, D24
15	15		1300250-00	150.0 .25 W 5.0 % CC	1		R5
16	16		1300229-00	100.0 .25 W 5.0 % CC	5		R39, R52, R54, R59, R69
17	17		1300232-00	100.0 1.0 W 5.0 % CC	2		R11, R12
18	18		1300247-00	120.0 .25 W 5.0 % CC	1		R56
19	19		1300365-00	1.0 K .25 W 5.0 % CC	8		R13, R14, R35, R36, R48, R49, R66, R70
20	20		1300444-00	3.90 K .25 W 5.0 % CC	1		R46
21	21		1300447-00	4.70 K .25 W 5.0 % CC	3		R9, R10, R32
22	22		1301775-00	820.0 .25 W 5.0 % CC	1		R31
23	23		1301317-00	10.0 .25 W 5.0 % CC	1		R63
24	24		1302612-00	1.78 K .25 W 1.0 % RN55D-F10	2		R50, R51
25	25		1300195-00	33.0 .50 W 5.0 % CC	2		R6, R65
26	26		1304725-00	300.0 .25 W 1.0 % RN55D-F10	1		R62
27	27		1312930-00	5.10 K .25 W 5.0 % CC	2		R55, R58
28	28		1301424-00	680.0 .25 W 5.0 % CC	4		R16, R18, R21, R23
29	29		1302391-00	20.0 K .25 W 5.0 % CC	1		R60
30	30		1300426-00	2.70 K .25 W 5.0 % CC	1		R33

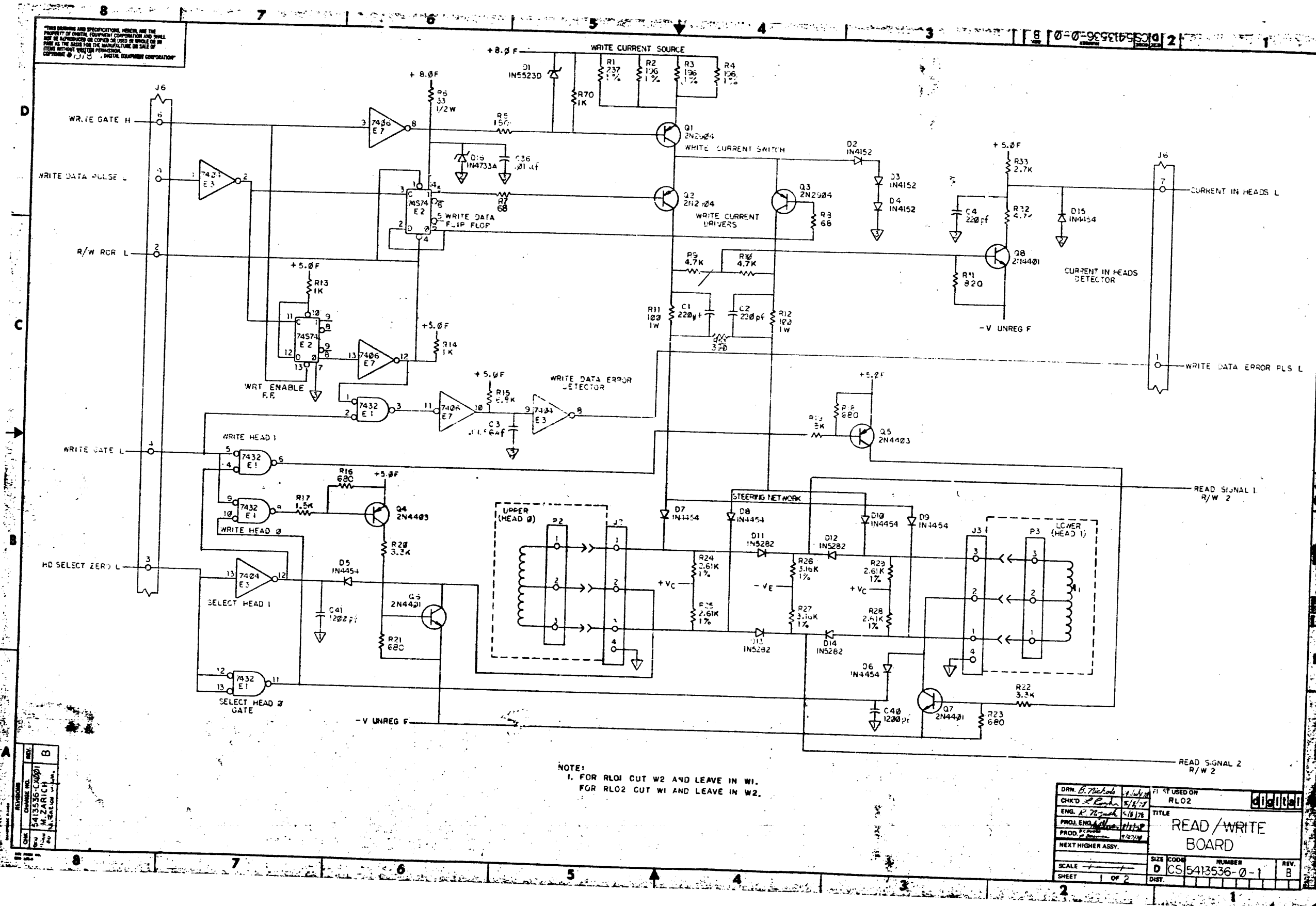
REVISION HISTORY		BASIC PART NO: 5413536		DRN: JERRY BEST		DATE: 14-AUG-78		D I G I T A L	
ENG	ECO NUMBER	REV	SECTION A OF A	CHK'D:	L. ROOHR	DATE:	14-AUG-78	TITLE	PARTS LIST
---	INIT	A	SECTION VARIATION INDEX						
MZ	5413536-CX001	B	[A] 00					READ/WRITE BOARD	
			[B]						
			[C]	DES.ENG:	B. NOGUCHI	DATE:	14-AUG-78		
			[D]						
			[E]	RESP.ENG.:	B. NOGUCHI	DATE:	14-AUG-78	DOCUMENT NUMBER	
			[F]						
			[H]					SIZE	CODE
			[J]					NUMBER	REV
			[K]	MFG.ENG.:	P. CHURCH	DATE:	14-AUG-78	K	PL
			[L]						
			[M]	ASSEMBLY NUMBER:					
			[N]	D-UA-5413536-0-0				TOP DOCUMENT NUMBER:	FILE NAME:
								# B-DD-RL02-0	Z1091B.PLS
									EDIT #
									8

"THIS DRAWING AND SPECIFICATIONS HEREIN, ARE THE PROPERTY OF DIGITAL EQUIPMENT CORPORATION AND SHALL NOT BE REPRODUCED OR COPIED OR USED IN WHOLE OR IN PART AS THE BASIS FOR THE MANUFACTURE OR SALE OF ITEMS WITHOUT WRITTEN PERMISSION. COPYRIGHT (C) 1981. DIGITAL EQUIPMENT CORPORATION"

LINE	ITEM	DOCUMENT NUMBER	PART NUMBER	DESCRIPTION	QTY	PER VARIATION	REFERENCE DESIGNATOR
					00		
31	31		1302956-00	196.0 .25 W 1.0 % RN55D-F10	3		R2, R3, R4
32	32		1300439-00	3.30 K .25 W 5.0 % CC	2		R20, R22
33	33		1305143-00	825.0 .25 W 1.0 % RN55D-F10	2		R44, R45
34	34		1303303-00	2.61 K .25 W 1.0 % RN55D-F10	4		R24, R25, R28, R29
35	35		1302645-00	1.10 K .25 W 1.0 % RN55D-F10	1		R61
36	36		1301477-00	82.0 .25 W 5.0 % CC	1		R68
37	37		1301322-00	180.0 .25 W 5.0 % CC	2		R37, R38
38	38		1313469-00	240.0 .25 W 5.0 % CC	1		R34
39	39		1303045-00	3.16 K .25 W 1.0 % RN55D-F10	2		R26, R27
40	40		1501913-00	2N 2904A PNP 600MW SI 60 40 Y	3		Q1-Q3
41	41		1513429-00	2N 4401 NPN 350MW SI 40 20	3		Q6-Q8
42	42		1513490-00	2N 4403 PNP 350MW SI-40 30	2		Q4, Q5
43	43		1210001-00	HEAT SINK BLACK	3		
44	44		9007201-00	TRANSIPADS #10253	3		
45	45		9008268-00	COMPOUND, THERMAL JOINT	A/R		
46	46		1611257-01	CHOKE(CERAMIC BEAD)AXIAL LEAD, ON	1		L6
47	47		1613898-01	33.0 UH INDUCTOR	4		L2-L5
48	48		1613898-02	39.0 UH INDUCTOR	1		L1
49	49		1910268-00	DEC 75107B RECEIVER, LINE, DUAL,	1		E8
50	50		1909686-00	7404 INVERTER GATE-HEX 1I	1		E3
51	51		1910544-00	74574 FF-D DUAL, EDGE TRIGG	1		E2
52	52		1910644-00	733 DIFFERENTIAL AMP, WID	2		E9, E10
53	53		1910741-00	7406 INVERTER GATE-HEX 1I	1		E7
54	54		1911521-00	7432 OR GATE-QUAD 2IN, PO	1		E1
55	55		1910268-01	DEC 75107B-01 RECEIVER, LINE, DUA	2		E5, E4
56	56		1910725-00	75108B RECEIVER, LINE, DUAL,	1		E6
57	57		1209941-06	HEADER.100 20POS RT ANGLE	1		J6
58	58		1209941-03	HEADER RT ANGLE LEFT L	1		
59	59		1209941-04	HEADER RT ANGLE RIGHT	1		
60	60		1210385-01	PIN 1POS WIRE WRAP	8		
61	61		9007791-00	TERM PCB 2POS SOLDER, TURRET	2		TP1, TP2
62	62		1303067-00	422.0 .25 W 1.0 % RN55D-F10	2		R42, R43
63	63		1300219-00	68.0 .25 W 5.0 % CC	4		R7, R8, R47, R57
64	64		1301423-00	6.80 K .25 W 5.0 % CC	3		R15, R64, R67
65	65		1300391-00	1.50 K .25 W 5.0 % CC	2		R17, R19
66	66		1114117-00	1N 4152 PIV=40 I=75	3		D2-D4
67	67		1113003-00	1N 5282 PIV=55 I=500M D035	4		D11-D14
68	68		1015573-01	5600.0 MMF 50V 5% CER	5		C3, C6, C7, C13, C14
69	69		1304857-00	237.0 .25 W 1.0 % RN55D-F10	1		R1
70	70		1300309-00	390.0 .25 W 5.0 % CC	1		R53
71	71		1013466-17	150.0 MMF 50V 5% CER	2		C15, C44
72	72		1309150-07	2.0 K .50 W10.0 % POT	2		R40, R41
73	73		9009185-00	JUMPER, WIRE, INSULATED, BLACK B	2		W1, W2
74	74		1217377-00	TERM QUICK 1POS TAB PC MNT	1		J7

D	I	G	I	T	A	L	TITLE	SECTION A	OF	A	SIZE	CODE	DOCUMENT NUMBER	REV
							READ/WRITE BOARD				K	PL	5413536-0-DBP	B

THIS DRAWING AND SPECIFICATIONS HEREBY ARE THE PROPERTY OF DIGITAL EQUIPMENT CORPORATION AND SHALL NOT BE REPRODUCED OR COPIED OR USED IN WHOLE OR IN PART AS THE BASIS FOR THE MANUFACTURE OR SALE OF ITEMS WITHOUT WRITTEN PERMISSION.  
 COPYRIGHT © 1970, DIGITAL EQUIPMENT CORPORATION



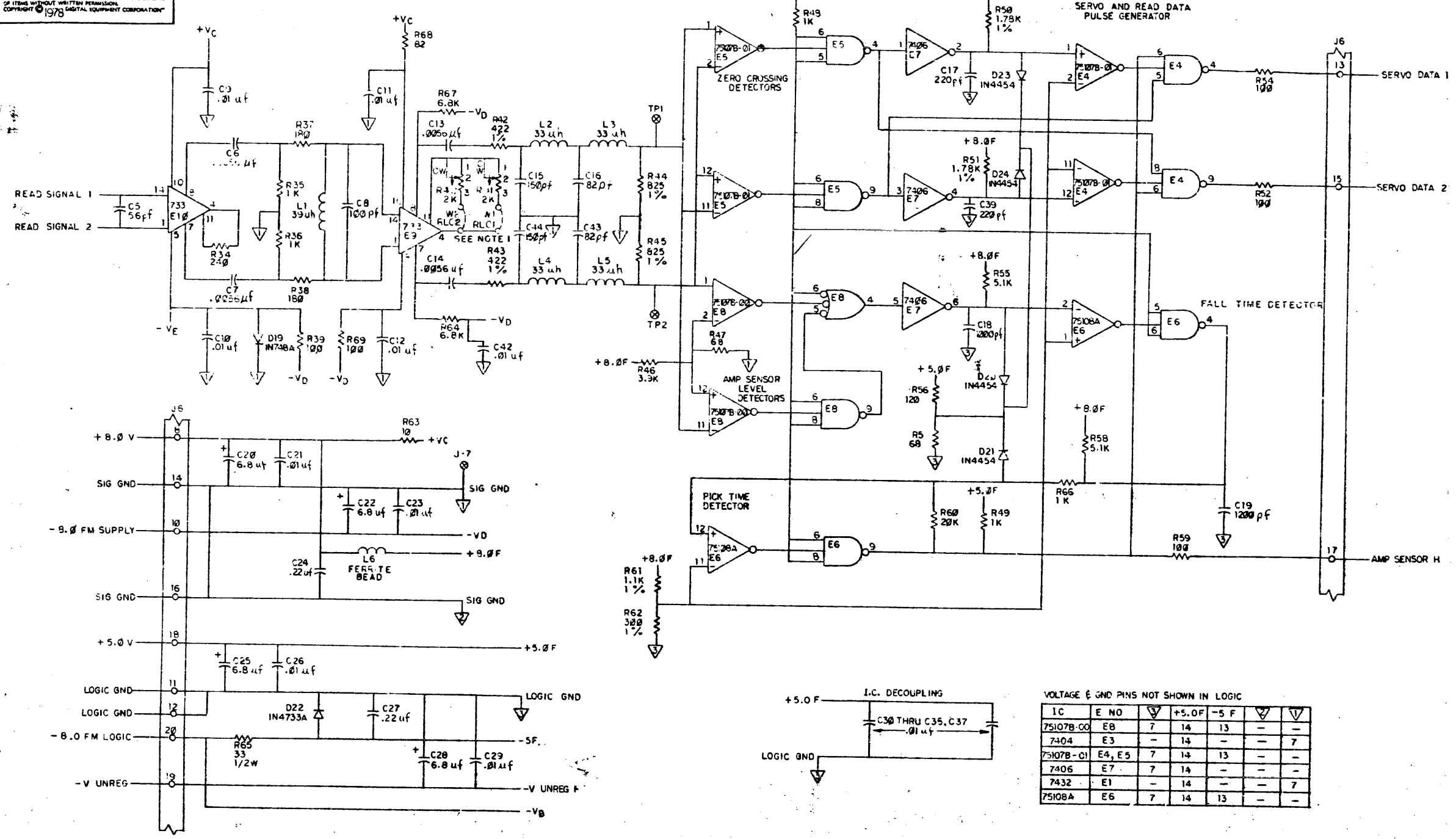
NOTE:  
 1. FOR RLO1 CUT W2 AND LEAVE IN W1.  
 FOR RLO2 CUT W1 AND LEAVE IN W2.

REV.	B
CHG	5413536-C-0001
BY	M. ZARICH
DATE	11/18/70

DRN. B. Nichols	1/18/70	PT. USED ON	RLO2
CHKD. R. B. ...	5/14/71	DIGITAL	
ENG. R. ...	5/18/71	TITLE	
PROJ. ENG. ...	11/17/70	READ/WRITE BOARD	
PROD. ...	11/27/70	NEXT HIGHER ASSY.	
SCALE	1 OF 2	SIZE CODE	D
SHEET	1 OF 2	NUMBER	CS 5413536-0-1
		REV.	B

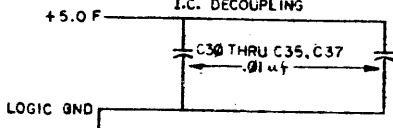
THIS DRAWING AND SPECIFICATIONS HEREIN ARE THE PROPERTY OF DIGITAL EQUIPMENT CORPORATION AND SHALL NOT BE REPRODUCED OR COPIED OR LOANED IN WHOLE OR IN PART AS THE BASIS FOR THE MANUFACTURE OR SALE OF ITEMS WITHOUT WRITTEN PERMISSION. COPYRIGHT © 1978 DIGITAL EQUIPMENT CORPORATION

D CS 5413536-0-1



VOLTAGE & GND PINS NOT SHOWN IN LOGIC

IC	E NO	+5.0V	-5.0V		
75107B-00	E8	7	14	13	-
7404	E3	-	14	-	7
75107B-01	E4, E5	7	14	13	-
7406	E7	7	14	-	-
7432	E1	-	14	-	7
75108A	E6	7	14	13	-



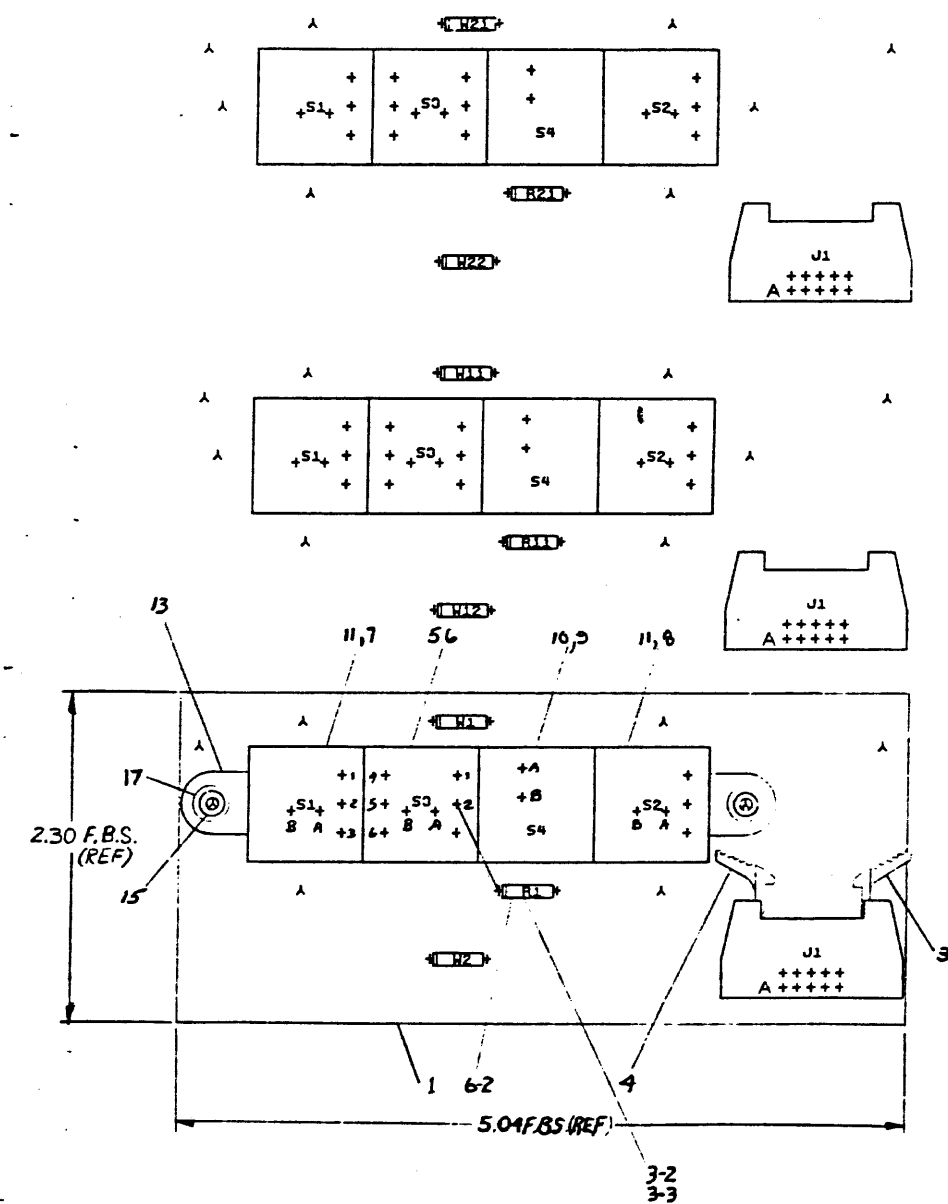
REVISIONS

CHK	CHANGE NO.	REV.

TITLE: READ/WRITE BOARD  
 SCALE: / / SHEET 2 OF 2  
 NUMBER: D CS 5413536-0-1  
 REV: 8

THIS DRAWING AND INFORMATION HEREON ARE THE PROPERTY OF DIGITAL EQUIPMENT CORPORATION AND WILL NOT BE REPRODUCED OR TRANSMITTED IN ANY FORM OR BY ANY MEANS, ELECTRONIC OR MECHANICAL, INCLUDING PHOTOCOPYING, RECORDING, OR BY ANY INFORMATION STORAGE AND RETRIEVAL SYSTEM. © 1976

COMPONENT SIDE VIEW

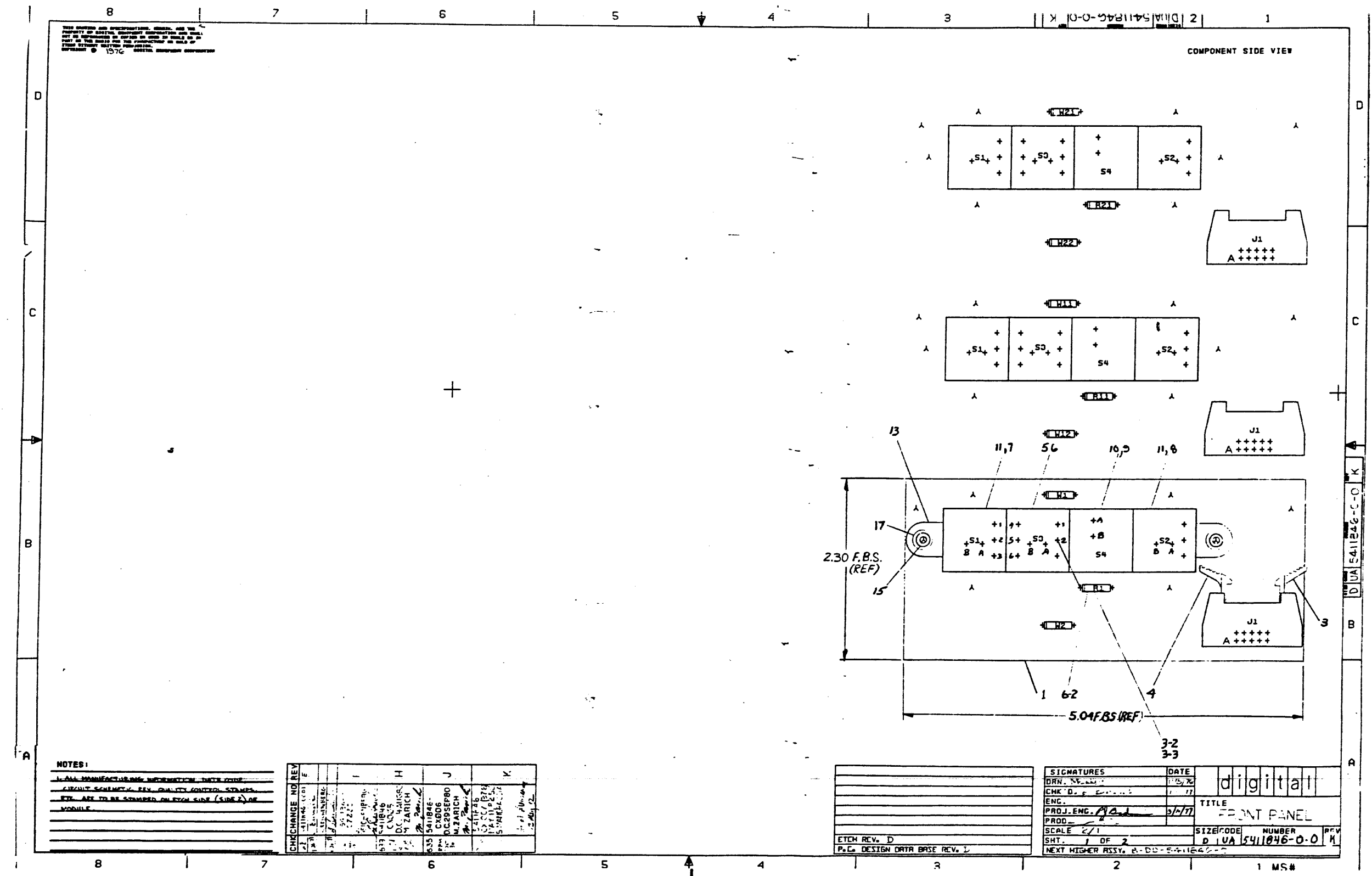


NOTES:  
 1. ALL MANUFACTURING INFORMATION MUST COME FROM THE MANUFACTURING INFORMATION DATA SHEET.  
 2. ALL DIMENSIONS ARE IN INCHES UNLESS OTHERWISE SPECIFIED.  
 3. DIMENSIONS ARE TO BE SHOWN ON EACH SIDE (SIDE 2) OF MODULE.

CHANGE NO	REV	DESCRIPTION	DATE	BY	CHKD
1	H	...	...	...	...
2	J	...	...	...	...
3	K	...	...	...	...

ETCH REV. D	P.L. DESIGN DATA BASE REV. 1
-------------	------------------------------

SIGNATURES		DATE	digital
DRN. S. ...	CHK. D. ...	3/1/77	
PROJ. ENG. ...		3/1/77	TITLE
SCALE 2/1		1 OF 2	FRONT PANEL
NEXT HIGHER ASSY. A-DD-5411846-0-0		SIZE CODE	NUMBER
		D 1UA	5411846-0-0 K



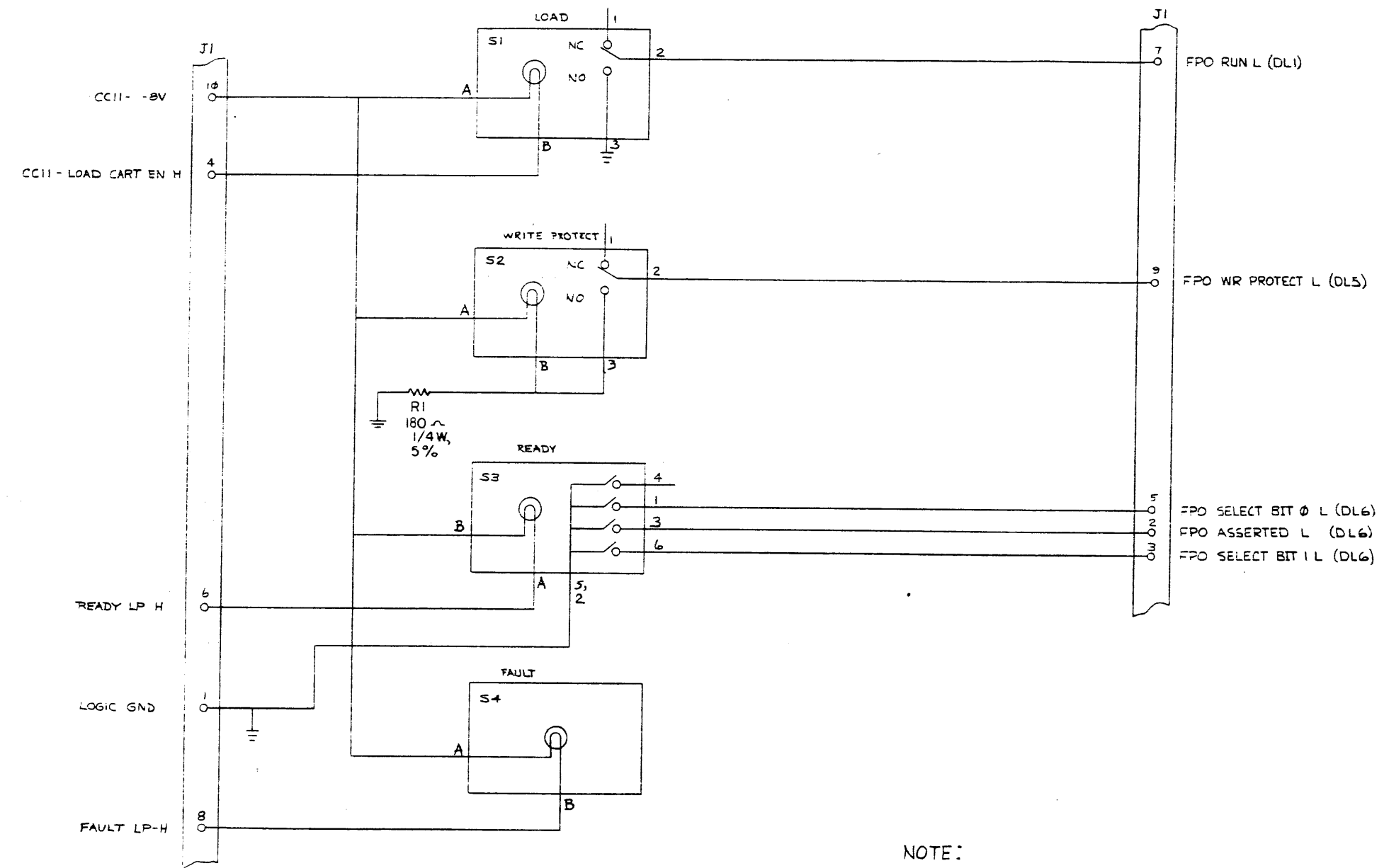
LINE	ITEM	DOCUMENT NUMBER	PART NUMBER	DESCRIPTION	QTY	PER VARIATION	REFERENCE DESIGNATOR
					00		
1	1	D-MD-5011845-0-0	5011845-00	54-11846 ETCH CRKT BRD	1		
2	2		1209941-05	HEADER.100 10POS RT ANGLE	1		J1
3	3		1209941-04	HEADER RT ANGLE,RIGHT	1		
4	4		1209941-03	HEADER RT ANGLE LEFT L	1		
5	5		1212690-02	SW,PB 1P RK05 UNIT SELECT	1		S3
6	6		1212691-00	SW,PP CAP "0/READY" FOR 12-1	1		
7	7		1212714-05	SW,PB CAP,YEL/BLK,"LOAD"	1		
8	8		1212714-01	SW,PB CAP,YEL/BLK,"WRITE PROT"	1		
9	9		1212714-02	SW,PB CAP,RED/BLK,"FAULT"	1		
10	10		1212715-02	INDICATOR,DISPLAY PANEL,W/14V LA	1		S4
11	11		1212717-05	SW,PB 1P 3A W/14V LAMP	2		S1,S2
12	12		1212716-01	LAMP,WEDGE,14V	1		
13	13		1213188-01	MOUNTING BRACKET,SWITCH	1		
14	14		1301322-00	180.0 .25 W 5.0 % CC	1		R1
15	15		9006732-00	EYELET,ROLL FLANGE .1210DX .219	2		
16	16		5107560-01	WIRE,BUSS,22AWG	2		W1,W2
17	17		9006655-00	WASHER, FLAT, .312 O.D. X .125 I	2		

REVISION HISTORY		BASIC PART NO: 5411846		DRN:	S. MARLOW	DATE:	7-APR-76	D I G I T A L		
ENG	ECO NUMBER	REV	SECTION A OF A	CHK'D:	P. BURNELL	DATE:	10-JAN-77	TITLE	PARTS LIST	
MZ	5411846-CX005	J	SECTION.VARIATION INDEX					FRONT PANEL		
			[A] 00							
			[B]							
			[C]	DES.ENG:	G. REICHENBERG	DATE:	7-MAR-77			
			[D]							
			[E]					DOCUMENT NUMBER		
			[F]	RESP.ENG.:	G. REICHENBERG	DATE:	7-MAR-77	SIZE!CODE!	NUMBER	REV
			[H]							
			[J]							
			[K]	MFG.ENG.:	L. KIRK	DATE:	9-MAR-77	K PL	5411846-0-DBP	J
			[L]							
			[M]	ASSEMBLY NUMBER:		TOP DOCUMENT NUMBER:		FILE NAME:	EDIT #	
			[N]	D-UA-5411846-0-0		# B-DD-5411846-0		Z1580J.PLS	3	

"THIS DRAWING AND SPECIFICATIONS HEREIN, ARE THE PROPERTY OF DIGITAL EQUIPMENT CORPORATION AND SHALL NOT BE REPRODUCED OR COPIED OR USED IN WHOLE OR IN PART AS THE BASIS FOR THE MANUFACTURE OR SALE OF ITEMS WITHOUT WRITTEN PERMISSION. COPYRIGHT (C) 1981. DIGITAL EQUIPMENT CORPORATION"



THIS DRAWING AND SPECIFICATIONS, HEREIN, ARE THE PROPERTY OF DIGITAL EQUIPMENT CORPORATION AND SHALL NOT BE REPRODUCED OR COPIED OR USED IN WHOLE OR IN PART AS THE BASIS FOR THE MANUFACTURE OR SALE OF ITEMS WITHOUT WRITTEN PERMISSION. COPYRIGHT © 1976, DIGITAL EQUIPMENT CORPORATION



NOTE:  
1. ALL LAMPS ARE 6E-73 TYPE

REV.	CHG. NO.	DATE	BY	CHK'D
E	5411846-001	9-2-77	G. REICHENBERG	
F	5411846-C2002	9-2-77	G. REICHENBERG	
H	5411846-C2003	9-2-77	M. ZARICH	
J	5411846-CX005	7 DEC 4 AUG 80	M. ZARICH	
K	5411846-CX006	4 PM DEC 9 OCT 80	M. ZARICH	

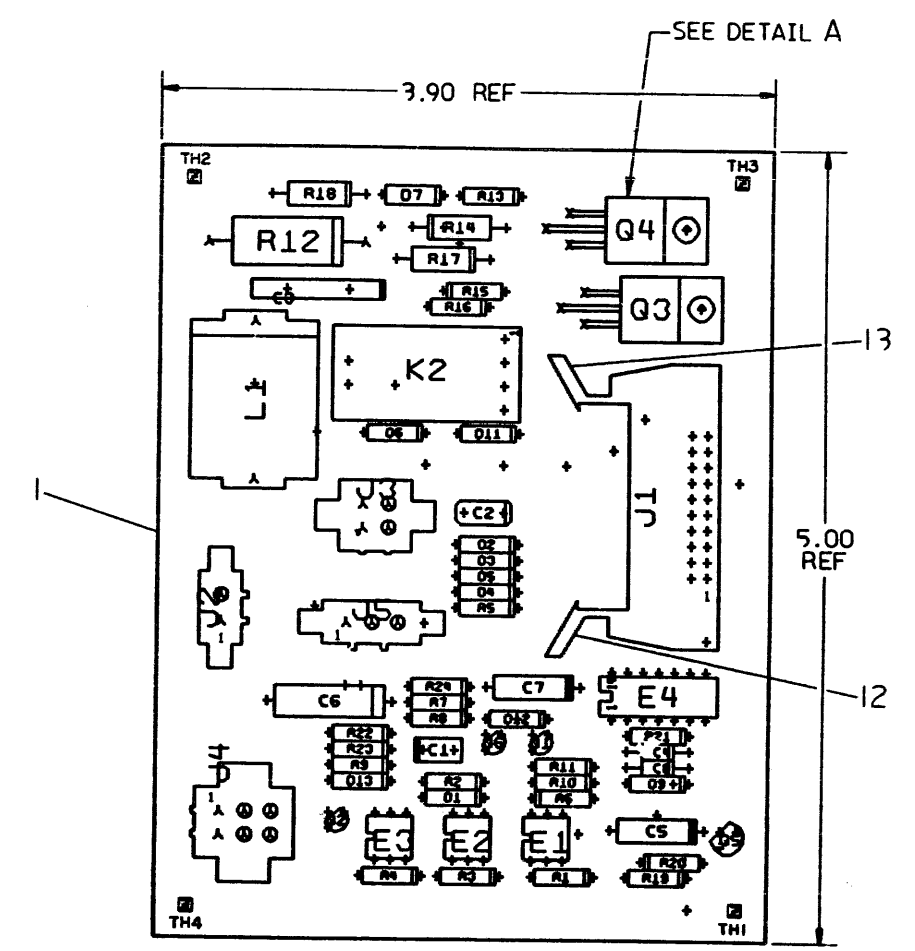
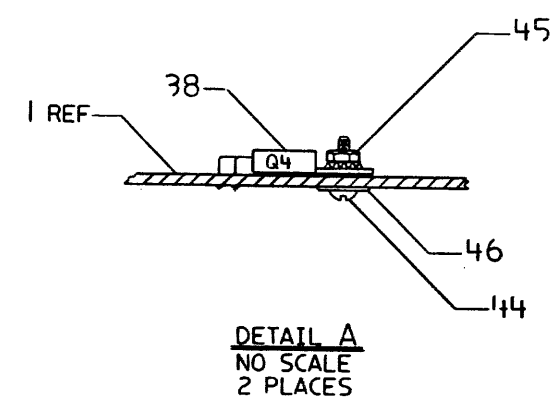
DRN	4-11-77	FIRST USED ON	digital
CHK'D	G. Reichenber	1-11-77	
ENG	G. Reichenber	3-7-77	
PROJ. ENG	G. Reichenber	3-10-77	
PROD	G. Reichenber	5-9-77	
NEXT HIGHER ASSY.		TITLE	
		FRONT PANEL	
SCALE		SIZE	CODE
		D	CS
SHEET	1 OF 1	NUMBER	5411846-0-1
		REV.	K

DIGITAL 5411846-0-1 K

THIS DRAWING AND SPECIFICATIONS, HEREIN, ARE THE PROPERTY OF DIGITAL EQUIPMENT CORPORATION AND SHALL NOT BE REPRODUCED OR COPIED IN WHOLE OR IN PART WITHOUT THE WRITTEN PERMISSION OF DIGITAL EQUIPMENT CORPORATION. COPYRIGHT ©1983

0-0-841148-0-0 2 1

COMPONENT SIDE VIEW



NOTES:

STEP E	→ Y AXIS 5.0	STEP 1 TIMES 2 AC 72
REPORT	→ X AXIS 3.9	STEP 3 TIMES

CHANGE NO	REV	I	J
422	5411848-0		
1	19 SEP 83		
2	SMANDRACCA		
3	500-5411848-0		
4	2 FEB 84		
5	SMANDRACCA		

ETCH REV. HI-P6
-----------------

SIGNATURES	DATE
DRN. Eric Somers	8 Jan 83
CHK'D. <i>[Signature]</i>	12 Feb 83
MECH. ENG. <i>[Signature]</i>	19 Feb 83
PROD. <i>[Signature]</i>	17 Feb 83

TITLE	AC SERVO
SCALE: 2/1	
SHT. 1 OF 1	
NEXT HIGHER ASSY. B-DD-5411848-0	

SIZE CODE	NUMBER	REV
D UA	5411848-0-0	J

DUA 5411848-0-0 J

1 MS# 290511H

LINE	ITEM	TOP DOCUMENT	PART NUMBER	MIN REV	DESCRIPTION	VARIATION REVISION LEVEL:	QTY PER VARIATION	REFERENCE DESIGNATOR
							00 H1	
1	1	B-DD-5011847-0	5011847-00	H	ETCH CRKT BRD		1	
2	2		1000002-04		.33 MFD 35V 10% S.TANT		1	C6
3	3		1001610-00		.01 MFD 50V +80-20% Z5U CER		2	C4,C8
4	4		1001776-00		1 MFD 35V 10% S.TANT		2	C5,C7
5	5		1011683-00		.022 MFD 50V 10% CER		1	C1
6	6		1012312-01		.47 MFD 50V +80-20% CER		1	C2
7	7		1013682-00		.1 MFD 500V +80-20%Z5U DISC		1	C3
8	8		1105796-00		PIV= 400 IO= 1.00A 1N4004 DO-41		1	D7
9	9		1110856-00		VZ= 24.0 5% 400 MW 1N970B		1	D1
10	10		1110968-00		SCR PIV= 100 IO= .80A 2N5062		1	Q2
11	11		1111577-00		PIV= 50 IO=200 MA - 4NS 1N4454		9	D2-D6,D9,D11-D13
12	12		1209941-03		PCB,HEADER LATCH		1	
13	13		1209941-04		PCB,HEADER LATCH		1	
14	14		1209941-06		PCB,HEADER 20PIN(2X20).100CC 90D		1	J1
15	15		1213917-00		RLY,REED 5V COIL,DPDT		1	K2
16	16		1213922-00		CONN,P+S 02POS(1X02).165CC		1	J2
17	17		1213922-01		CONN,P+S 03POS(1X03).165CC		1	J5
18	18		1213922-03		CONN,P+S 04POS(1X04).165CC		1	J3
19	19		1213922-04		CONN,P+S 06POS(2X03).165CC		1	J4
20	20		1300271-00		220.0 .25 W 5.0 % CF		3	R1,R3,R4
21	21		1300296-00		330.0 .50 W 5.0 % CF		1	R17
22	22		1300315-00		470.0 .50 W 5.0 % CF		1	R14
23	23		1300365-00		1.0 K .25 W 5.0 % CF		1	R21
24	24		1300444-00		3.90 K .25 W 5.0 % CF		1	R20
25	25		1300479-00		10.0 K .25 W 5.0 % CF		2	R11,R24
26	26		1300482-00		10.0 K 2.0 W10.0 % CC		1	R12
27	27		1300496-00		15.0 K .25 W 5.0 % CF		1	R10
28	28		1301327-00		68.0 K .25 W 5.0 % CF		1	R6
29	29		1302388-00		2.0 K .25 W 5.0 % CF		1	R13
30	30		1302466-00		100.0 K .25 W 5.0 % CF		2	R5,R8

*SMBS*  
*2-2-84*  
*2R68A*

REVISION HISTORY			BASIC PART NO: 5411848							
ENG	ECD NUMBER	REV	SECTION A OF A	DRN:	SUE BOURBEAU	DATE: 16-SEP-83	D I G I T A L			
SM	5411848-CX004	H	SECTION VARIATION INDEX	CHK'D:	SUE BOURBEAU	DATE: 16-SEP-83	TITLE PARTS LIST			
SM	5411848-CX005	J	[A] 00	DES.ENG:	S MANDRACCIA	DATE: 16-SEP-83	DOCUMENT NUMBER			
			[B]	RESP.ENG.:	S MANDRACCIA	DATE: 16-SEP-83	SIZE	CODE	NUMBER	REV
			[C]	MFG.ENG.:	R PAYETTE	DATE: 16-SEP-83	K	PL	5411848-0-DBP	J
			[D]	ASSEMBLY NUMBER:		TOP DOCUMENT NUMBER:	RELEASE DATE:		01-FEB-84	
			[E]	D-UA-5411848-0-0		#B-DD-5411848-0	FILE NAME:	Z0491J.PLS		6
			[F]				EDIT #			
			[G]							
			[H]							
			[I]							
			[J]							
			[K]							
			[L]							
			[M]							
			[N]							

"THIS DRAWING AND THE SPECIFICATIONS CONTAINED HEREIN ARE CONFIDENTIAL AND PROPRIETARY. THEY ARE THE PROPERTY OF DIGITAL EQUIPMENT CORPORATION AND SHALL NOT BE REPRODUCED OR COPIED OR USED IN WHOLE OR IN PART AS THE BASIS FOR THE MANUFACTURE OR SALE OF ITEMS WITHOUT WRITTEN PERMISSION. THIS IS AN UNPUBLISHED WORK PROTECTED UNDER THE FEDERAL COPYRIGHT LAWS."

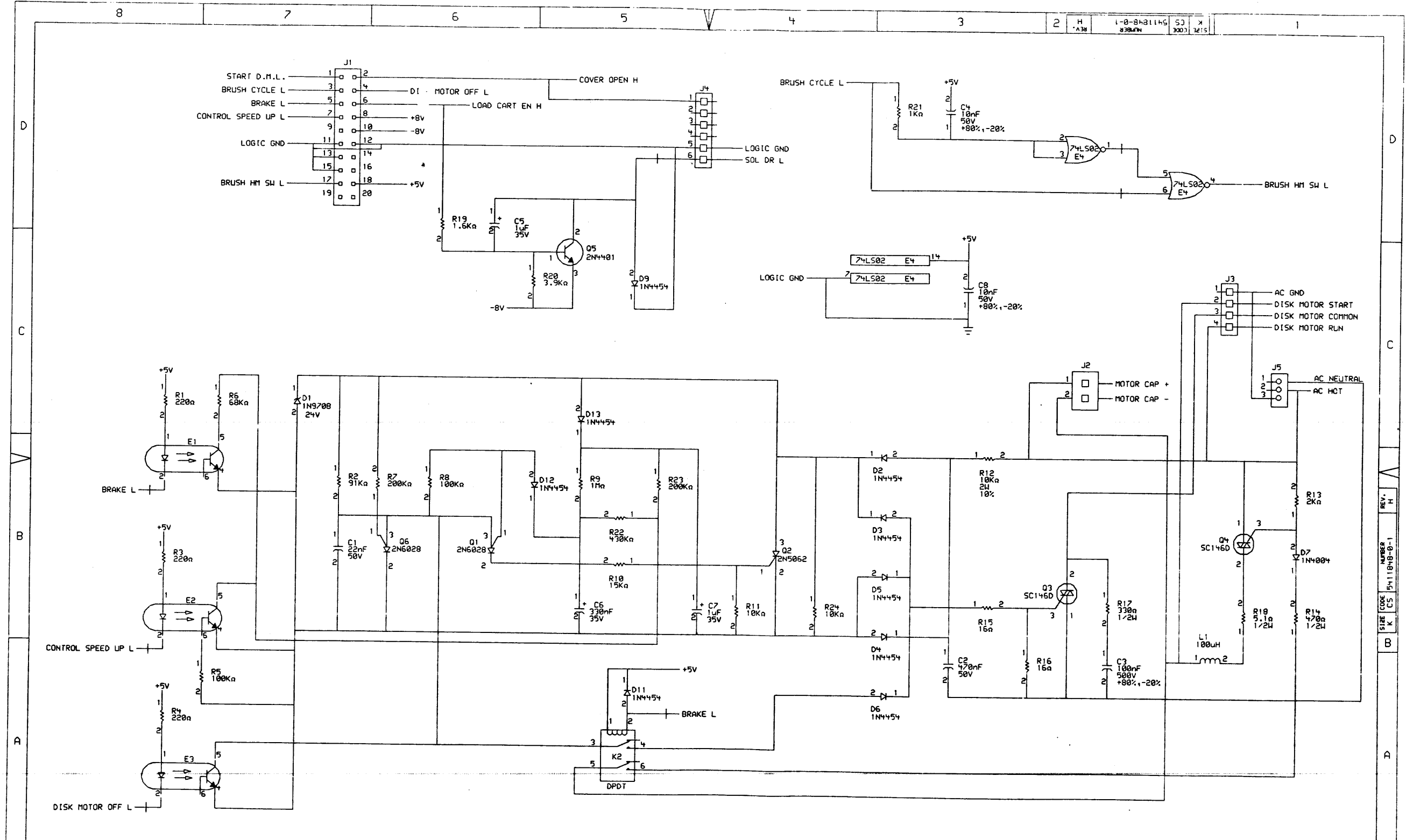
AUTOMATED BY PRTLST.3P(44)

PARTS LIST

SHEET A2 OF A2

LINE ITEM	TOP DOCUMENT	PART NUMBER	MIN REV	DESCRIPTION	VARIATION REVISION LEVEL:	QTY PER VARIATION	REFERENCE DESIGNATOR
						00	
						H1	
31	31	1303176-00		1.60 K .25 W 5.0 %	CF	1	R19
32	32	1309595-00		1.0 M .25 W 5.0 %	CF	1	R9
33	33	1311220-00		5.10 .50 W 5.0 %	CF	1	R18
34	34	1312927-00		16.0 .25 W 5.0 %	CF	2	R15,R16
35	35	1314516-00		200.0 K .25 W 5.0 %	CF	2	R7,R23
36	36	1314649-00		430.0 K .25 W 5.0 %	CF	1	R22
37	37	1314650-00		91.0 K .25 W 5.0 %	CF	1	R2
38	38	1510070-00		TRIAC PIV= 400 IO= 8.00A		2	Q3,Q4
39	39	1510727-01		OPTO COUPLED ISOLATOR		3	E1-E3
40	40	1510877-00		2N 6028 UJT 300MW R67B		2	Q1,Q6
41	41	1513489-00		2N 4401 NPN 350MW SI 40 20		1	Q5
42	42	1619881-01		100.0 UH 10% 3A		1	L1
43	43	1912801-00		LS02 NOR-GATE-QUAD 2IN		1	E4
44	44	9006010-01		SCREW,MACH PAN PHIL	4-	2	
45	45	9006557-00		NUT,HEX EXT TOOTH LCKWSHR	4-40	2	
46	46	9006655-00		WASHER,FLAT	SST	2	

D	I	G	I	T	A	L	TITLE	AC SERVO	SECTION A OF A	SIZE	CODE	DOCUMENT NUMBER	REV
										K	PL	5411848-0-DBP	J



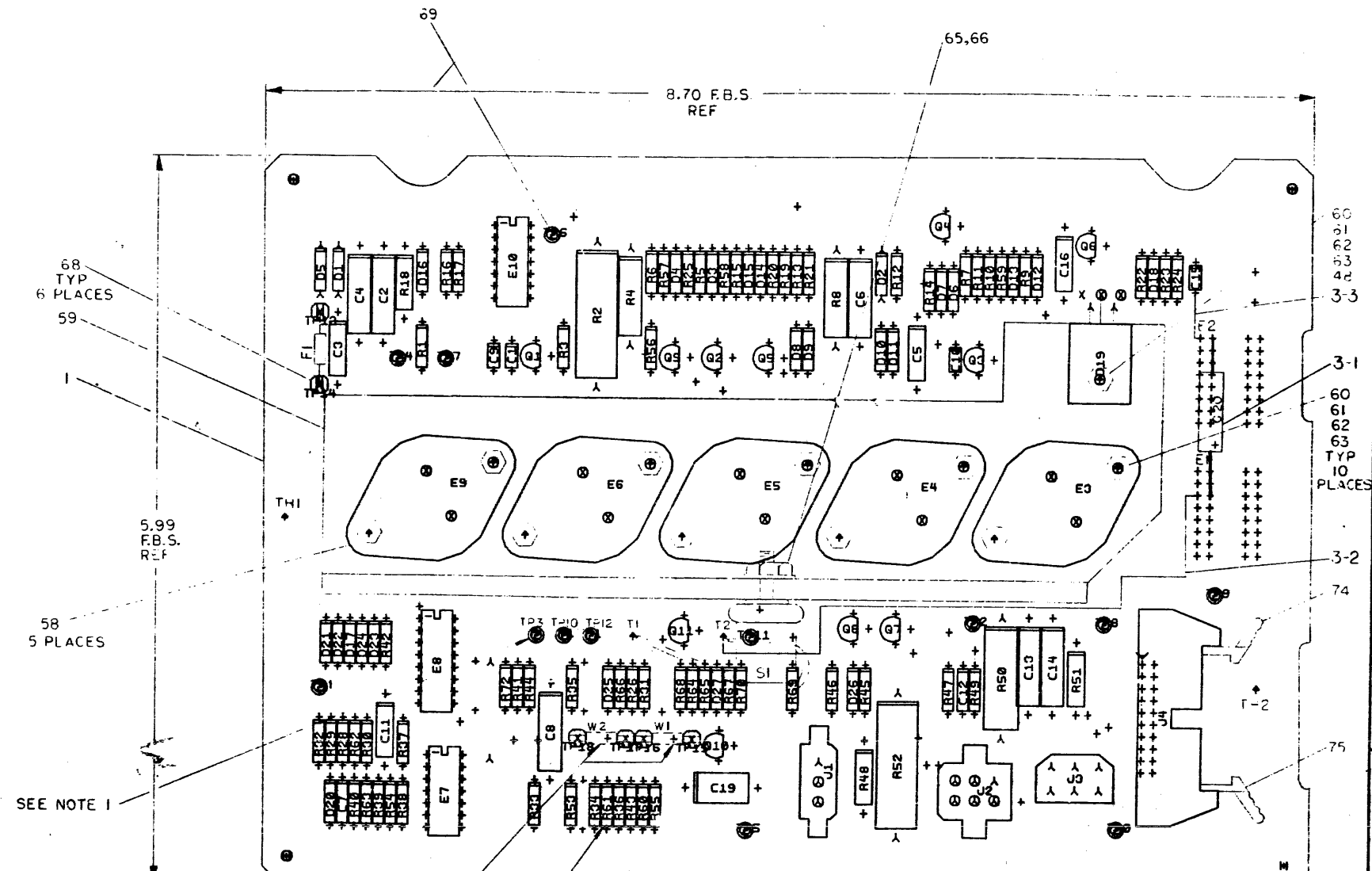
THIS DRAWING AND SPECIFICATIONS HEREIN ARE THE PROPERTY OF DIGITAL EQUIPMENT CORPORATION AND SHALL NOT BE REPRODUCED OR COPIED OR USED IN WHOLE OR IN PART AS THE BASIS FOR THE MANUFACTURE OR SALE OF ITEMS WITHOUT WRITTEN PERMISSION. COPYRIGHT © 1983, DIGITAL EQUIPMENT CORPORATION.

REVISIONS		
CHK	CHANGE NO.	REV
	1	H

	DRN. <i>John Decker</i>	DATE ENG. 16-SEP-83	DATE 17-SEP-83	TITLE: AC SERVO
	CHD. <i>John Decker</i>	DATE BOARD LOCATION:	DATE 17-SEP-83	SIZE CODE NUMBER REV. K CS 5411848-0-1 H
IDEAL: <SCHNEIDER>SV01C.DRW116-SEP-83 12:16 NEXT HIGHER ASSEMBLY: FIRST USED ON OPTION/MODEL: RL01 B-DD-5411848-0		SHEET OF 1		

THIS DRAWING AND SPECIFICATIONS HERETO, ARE THE PROPERTY OF DIGITAL EQUIPMENT CORPORATION AND SHALL NOT BE REPRODUCED OR TRANSMITTED IN ANY FORM OR BY ANY MEANS, ELECTRONIC OR MECHANICAL, INCLUDING PHOTOCOPYING, RECORDING, OR BY ANY INFORMATION STORAGE AND RETRIEVAL SYSTEM, WITHOUT PERMISSION IN WRITING FROM DIGITAL EQUIPMENT CORPORATION.

COMPONENT SIDE VIEW



60  
61  
62  
63  
64  
65  
66  
67  
68  
69  
TYP  
10  
PLACES

74  
75

- NOTES:
- TP3, TP11, TP12, TP13 THRU TP18 TO BE MOUNTED ON SIDE 2.
  - R50 AND R51 ARE TO BE INSTALLED AFTER FINAL TEST.
  - INSTALL W1 AND W2 FOR R41. INSTALL W2 ONLY FOR R102. W1, W2 ARE LOCATED ON SIDE 2.
  - CS REV TO BE MARKED ON SIDE TWO (2).

CHANGE NO	REV	A	B	C	D	E
1	5413534-000A					
2	5413534-000B					
3	5413534-000C					
4	5413534-000D					
5	5413534-000E					

SEE NOTE 1  
SEE NOTE 2  
SEE NOTE 3

ETCH REV. E	
P.C. DESIGN DATA REV. F1	

SIGNATURES	DATE
DAN	2/3/72
CHK'D.	
PROJ. ENG.	
PROD.	2/2/72
SCALE 2/1	
SHT. 1 OF 2	
NEXT HIGHER ASSY. B-60-5413534-00	

digital	
TITLE	DC SERVO & POWER SUPPLY
SIZE CODE	NUMBER
D UA 5413534-0-0	F

D-UA-5413534-0-0 1 OF 2 AL#2

1 MS# 231-021

LINE	ITEM	DOCUMENT NUMBER	PART NUMBER	DESCRIPTION	QTY	PER VARIATION	REFERENCE DESIGNATOR
					00		
1	1	D-MD-5013533-0-0	5013533-00	ETCHED CIRCUIT BOARD	1		
2	2		1013466-08	680.0 MMF 50V 10% X7R CER	1		C12
3	3		1016009-00	2200.0 MMF 50V 5% CER	1		C7
4	4		1001610-00	.01 MFD 50V +80-20% Z5U CER	4		C1,C9,C10,C15
5	5		1002630-00	.015 MFD 100V 10% MYLR	1		C8
6	6		1013466-11	.22 MFD 50V +80-20% Z5U CER	4		C3,C5,C11,C16
7	7		1005306-00	*** THIS ITEM IS NOT USED ***	-		
8	8		1000076-00	*** THIS ITEM IS NOT USED ***	-		
9	9		1309422-00	5.10 .25 W 5.0% CC	1		R58
10	10		1312929-00	62.0 .25 W 5.0% CC	2		R3,R23
11	11		1311523-00	110.0 .25 W 5.0% CC	1		R22
12	12		1300247-00	120.0 .25 W 5.0% CC	1		R13
13	13		1300271-00	220.0 .25 W 5.0% CC	1		R59
14	14		1301425-00	300.0 .25 W 5.0% CC	1		R55
15	15		1303178-00	620.0 .25 W 5.0% CC	1		R6
16	16		1300365-00	1.0 K .25 W 5.0% CC	5		R1,R7,R39,R44,R57
17	17		1300391-00	1.50 K .25 W 5.0% CC	1		R5
18	18		1302388-00	2.0 K .25 W 5.0% CC	2		R31,R43
19	19		1300426-00	2.70 K .25 W 5.0% CC	2		R46,R47
20	20		1302389-00	4.30 K .25 W 5.0% CC	1		R53
21	21		1300447-00	4.70 K .25 W 5.0% CC	10		R10-R12,R14,R15,R19,R20,R24,R49,
						CONT	R68
22	22		1303179-00	8.20 K .25 W 5.0% CC	3		R9,R16,R17
23	23		1300488-00	12.0 K .25 W 5.0% CC	4		R25,R26,R45,R56
24	24		1305346-00	27.0 K .25 W 5.0% CC	1		R21
25	25		1305131-00	*** THIS ITEM IS NOT USED ***	-		
26	26		1312923-00	2.10 K .25 W 1.0% RN55D-F10	1		R41
27	27		1305114-00	3.48 K .25 W 1.0% RN55D-F10	1		R34
28	28		1314763-00	4.12 K .25 W 1.0% RN55D-F10	1		R36
29	29		1303312-00	10.0 K .25 W 1.0% RN55D-F10	3		R28,R29,R62

REVISION HISTORY		BASIC PART NO: 5413534		DRN:	JERRY BEST	DATE:	26-JUL-78	DIGITAL			
ENG	ECO NUMBER	REV	SECTION A OF A	CHK'D:	JERRY BEST	DATE:	26-JUL-78	PARTS LIST			
---	INIT	A	SECTION VARIATION INDEX	CHK'D:	JERRY BEST	DATE:	26-JUL-78	D.C. SERVO AND POWER SUPPLY			
BN	5413534-CZ001	B	[A] 00	DES.ENG:	R. NOGUCHI	DATE:		DOCUMENT NUMBER			
MZ	5413534-CX003	C	[B]	RESP.ENG.:	R. NOGUCHI	DATE:	26-JUL-78	SIZE	CODE	NUMBER	REV
MZ	5413534-CX004	D	[C]	MFG.ENG.:	P. CHURCH	DATE:		K	PL	5413534-0-DBP	E
SM	5413534-CX05A	E	[D]	ASSEMBLY NUMBER:		TOP DOCUMENT NUMBER:		FILE NAME:		EDIT #	
			[E]	D-UA-5413534-0-0		RL02		Z0494E.PLS		22	
			[F]								
			[G]								
			[H]								
			[I]								
			[J]								
			[K]								
			[L]								
			[M]								
			[N]								

THIS DRAWING AND SPECIFICATIONS HEREIN, ARE THE PROPERTY OF DIGITAL EQUIPMENT CORPORATION AND SHALL NOT BE REPRODUCED OR COPIED OR USED IN WHOLE OR IN PART AS THE BASIS FOR THE MANUFACTURE OR SALE OF ITEMS WITHOUT WRITTEN PERMISSION. COPYRIGHT (C) 1982. DIGITAL EQUIPMENT CORPORATION

LINE ITEM	DOCUMENT NUMBER	PART NUMBER	DESCRIPTION	QTY PER VARIATION	REFERENCE DESIGNATOR
				00	
30	30	1312924-00	10.70 K .25 W 1.0 % RN55D-F10	1	R32
31	31	1309412-00	18.20 K .25 W 1.0 % RN55D-F10	1	R33
32	32	1315436-00	52.30 K .25 W 1.0 % RN55D-F10	1	R54
33	33	1304843-00	243.0 K .25 W 1.0 % RN55D-F10	1	R72
34	34	1315437-00	237.0 K .25 W 1.0 % RN55D-F10	1	R38
35	35	1302378-00	51.0 .50 W 5.0 % CC	1	R51
36	36	1300364-00	1.0 K .50 W 5.0 % CC	2	R18,R48
37	37	1314068-00	360.0 1.0 W 5.0 % CC	1	R4
38	38	1300368-00	1.0 K 1.0 W 5.0 % CC	1	R8
39	39	1301494-00	200.0 2.0 W 5.0 % CC	1	R50
40	40	1313358-00	.20 5.0 W 3.0 % WW	2	R2,R52
41	41	1105796-00	1N 4004 PIV=400 I= 1A D041 SP	3	D1,D2,D5
42	42	1113953-00	1N 5523D VZ= 5.1 1%	8	D4,D6,D8,D9,D16,D18,D21,D22
43	43	1109990-00	1N 757A VZ= 9.1 5% .40W P	2	D23,D24
44	44	1110994-00	1N 751A VZ= 5.1 5% .40W	1	D14
45	45	1114117-00	1N 4152 PIV=40 I=75	6	D3,D7,D10,D11,D12,D13
46	46	1111577-00	1N 4454 TR= 4NS PIV= 50 S	6	D15,D17,D20,D25-D27
47	47	1513698-00	TRIAC@200V,I>14A	1	D19
48	48	9009597-00	INSULATOR, THERMA-FILM	1	
49	49	1513489-00	2N 4401 NPN 350MW SI 40 20	4	Q2,Q4,Q8,Q9
50	50	1513490-00	2N 4403 PNP 350MW SI-40 30	6	Q1,Q3,Q5-Q7,Q11
51	51	1511282-00	MJ2500 PNP 150WC SI 60 5 1K 5A	2	E4,E6
52	52	1511349-00	TIP 640 (OR MJ3000) NPN DARLINGT	1	E3
53	53	1911706-00	5012 ANALOG SWITCH,4CHNL	1	E8
54	54	1912818-00	LS38 NAND BUFFER-QUAD 2IN	1	E10
55	55	1912107-01	324ANOP AMP,QUAD	1	E7
56	56	1913695-00	7808 VOLT REG,FIX +8V	1	E9
57	57	1913694-00	7908 VOLT REG,FIX -8V	1	E5
58	58	9008419-00	WASHER, FLAT, THERMAFILM .002THK	5	
59	59	7418595-00	HEATSINK ASSEMBLY	1	
60	60	9008033-01	SCREW,PAN,PHIL 4-40X 9/16 SS	11	
61	61	9006557-00	NUT,KEP 4-40X 1/4 AF	11	
62	62	9006655-00	WASHER, FLAT, .312 O.D. X .125 I	11	
63	63	9008268-00	COMPOUND, THERMAL JOINT	A/R	
64	64	1210824-00	THERMOSTAT,0@215,C@15@,SPST,NORM	1	S1
65	65	9008185-00	NUT,KEP 6-32X 1/4 AF	1	
66	66	9006653-00	WASHER, FLAT, .375 O.D. X .156 I	1	
67	67	1205747-00	FUSE, SUB-MINI, 5.000A, 125V, A	1	F1
68	68	9006735-00	EYELET, FUNNEL FLANGE, .059 OD X	6	TP13-TP18
69	69	9007791-00	TERM PCB 2POS SOLDER,TURRET	13	TP0-TP12
70	70	1213922-01	HEADER 3POS	1	J1
71	71	1213922-04	HEADER 6POS	1	J2
72	72	1213900-00	CONN,RCPT 6POS	1	J3
73	73	1209941-06	HEADER.100 20POS RT ANGLE	1	J4
74	74	1209941-04	HEADER RT ANGLE,RIGHT	1	
75	75	1209941-03	HEADER RT ANGLE LEFT L	1	
76	76	1305324-00	4.99 K .25 W 1.0 % RN55D-F10	2	R37,R30
77	77	1300250-00	150.0 .25 W 5.0 % CC	1	R42

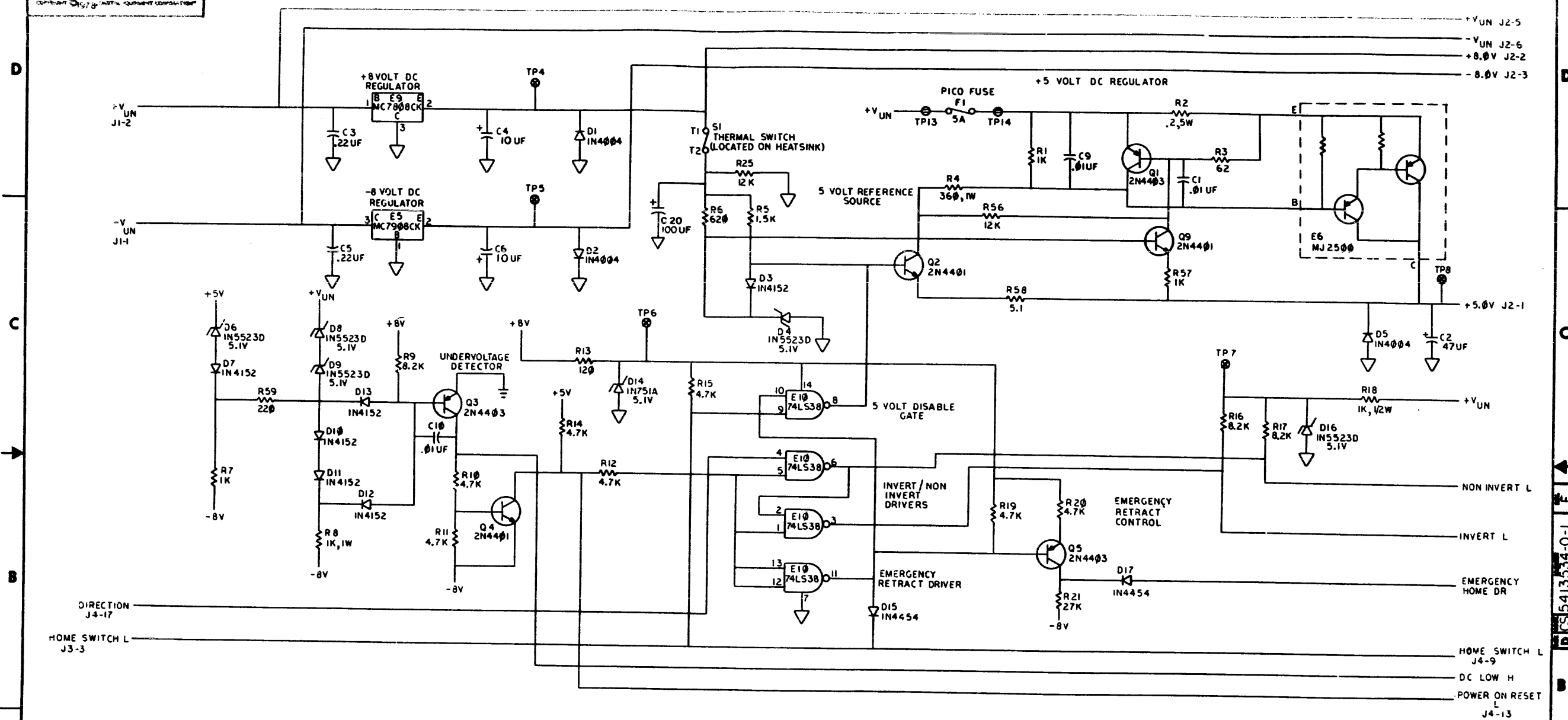
D	I	G	I	T	A	L	TITLE	SECTION A	OF A	SIZE	CODE	DOCUMENT NUMBER	REV
							D.C. SERVO AND POWER SUPPLY					K PL 5413534-0-DBP	E



LINE	ITEM	DOCUMENT NUMBER	PART NUMBER	DESCRIPTION	QTY PER VARIATION 00	REFERENCE DESIGNATOR
78	78		1312618-00	16.90 K .25 W 1.0 Z RN55D-F10	1	R40
79	79		1300229-00	100.0 .25 W 5.0 Z CC	1	R63
80	80		1305336-00	*** THIS ITEM IS NOT USED ***	-	
81	81		1309416-00	31.60 K .25 W 1.0 Z RN55D-F10	1	R65
82	82		1002781-00	100 MFD 25V +75-10% AL EL	1	C20
83	83		9009185-00	JUMPER, WIRE, INSULATED, BLACK B	2	W1,W2
84	84		1303044-00	100.0 K .25 W 1.0 Z RN55D-F10	1	R64
85	85		1015574-00	*** THIS ITEM IS NOT USED ***	-	
86	86		1315435-00	25.50 K .25 W 1.0 Z RN55D-F10	1	R66
87	87		1312930-00	5.10 K .25 W 5.0 Z CC	1	R67
88	88		1015520-00	1 MFD 100V 5% MET. MYLR	1	C19
89	89		1513697-00	2N 5640 FET N CHNNL	1	Q10
90	90		130479-00	10.0 K .25 W 5.0 Z CC	1	R69
91	91		1302466-00	100.0 K .25 W 5.0 Z CC	1	R70
92	92		9105740-55	WIRE(WRAP)30AWG UL1423	A/R	
93	93		1017472-00	10 MFD 35V +50-10% AL EL	4	C4,C6,C13,C14
94	94		1016549-00	47 MFD 10V +50-10% AL EL	1	C2

J	I	G	I	T	A	L	TITLE	D.C. SERVO AND POWER SUPPLY	SECTION A OF A	SIZE	CODE	DOCUMENT NUMBER	REV
										K	PL	5413534-0-DBP	E

THIS DRAWING AND SPECIFICATIONS HEREIN ARE THE PROPERTY OF DIGITAL EQUIPMENT CORPORATION AND SHALL NOT BE REPRODUCED OR COPIED OR USED IN WHOLE OR IN PART AS THE BASIS FOR THE MANUFACTURE OR SALE OF ITEMS WITHOUT WRITTEN PERMISSION OF DIGITAL EQUIPMENT CORPORATION.

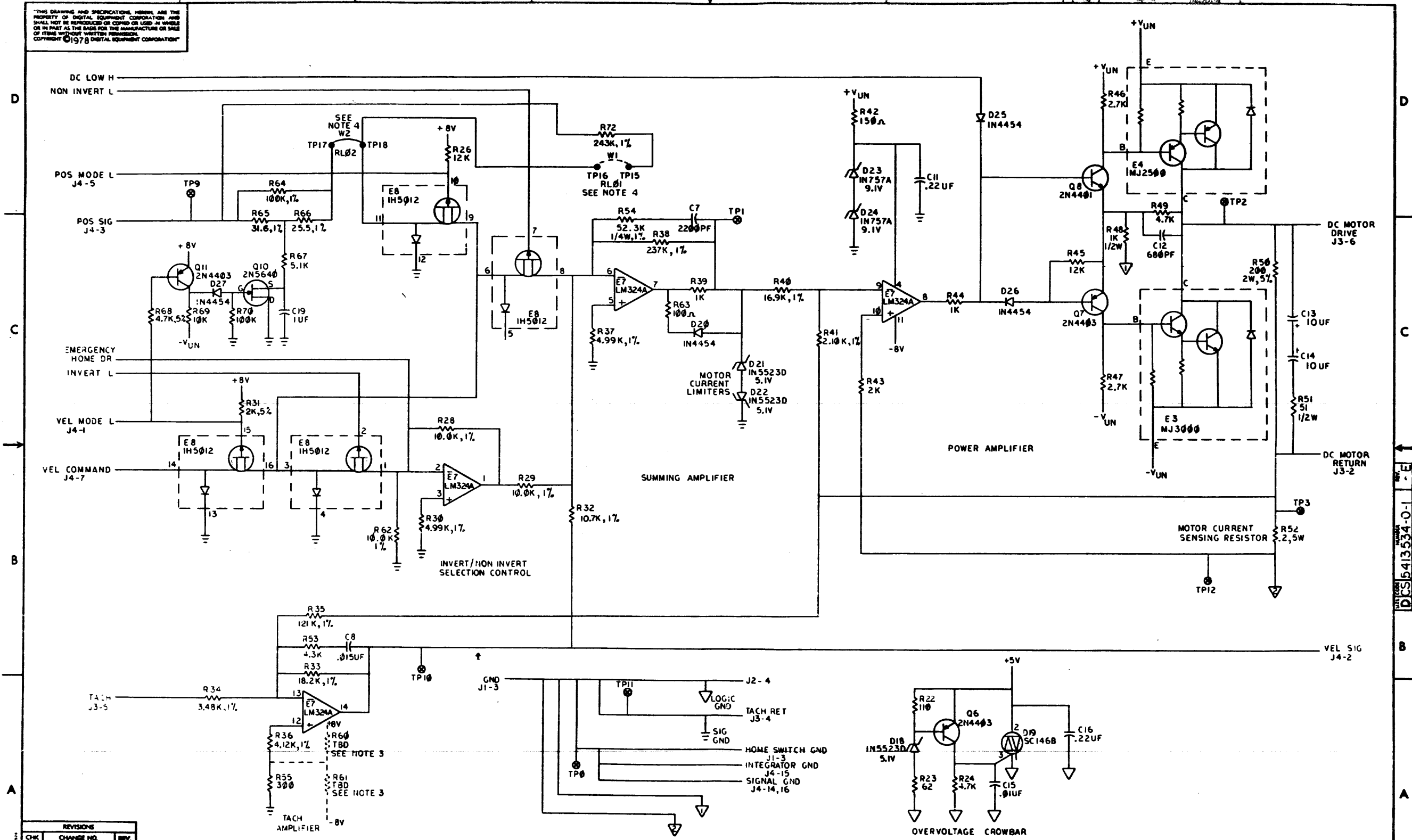


- NOTES:
1. ALL RESISTORS TO BE 1/4W, 5%; UNLESS OTHERWISE SPECIFIED.
  2. ~~R1 AND R2 ARE SPARES.~~
  3. VALUE OF R6 OR R61 WILL BE DETERMINED IN TESTING.
  4. INSTALL W1 AND W2 FOR RL01 ON SIDE 2. INSTALL W2 ONLY FOR RL02 ON SIDE 2.

REV.	DATE	BY	CHKD.	DESCRIPTION
1	5/13/64	BOE ANOUCCHI		INITIAL DESIGN
2	5/13/64	M. ZAPACH		REVISED
3	5/13/64	M. ZAPACH		REVISED
4	5/13/64	M. ZAPACH		REVISED
5	5/13/64	M. ZAPACH		REVISED

DESCRIPTION		DIML PART NO.		ITEM NO.	
UNLESS OTHERWISE SPECIFIED DIMENSIONS ARE IN INCHES					
ANGLE	CLASS OF FINISH	DIMENSIONAL TOLERANCES			
30°	AS CHECKED	0.001	0.002	0.005	0.010
SURFACE QUALITY	FINISH	0.001	0.002	0.005	0.010
QUANTITY VARIATION	FINISH	0.001	0.002	0.005	0.010
MICROINCHES		0.001	0.002	0.005	0.010
PREFERRED		0.001	0.002	0.005	0.010
FIRST USED ON		DC SERVO AND POWER SUPPLY			
SCALE		D CS 5413534-0-1			
SHEET		2 OF 2			

THIS DRAWING AND SPECIFICATIONS HEREIN ARE THE PROPERTY OF DIGITAL EQUIPMENT CORPORATION AND SHALL NOT BE REPRODUCED OR COPIED OR USED IN WHOLE OR IN PART AS THE BASIS FOR THE MANUFACTURE OR SALE OF ITEMS WITHOUT WRITTEN PERMISSION OF DIGITAL EQUIPMENT CORPORATION. COPYRIGHT © 1978 DIGITAL EQUIPMENT CORPORATION

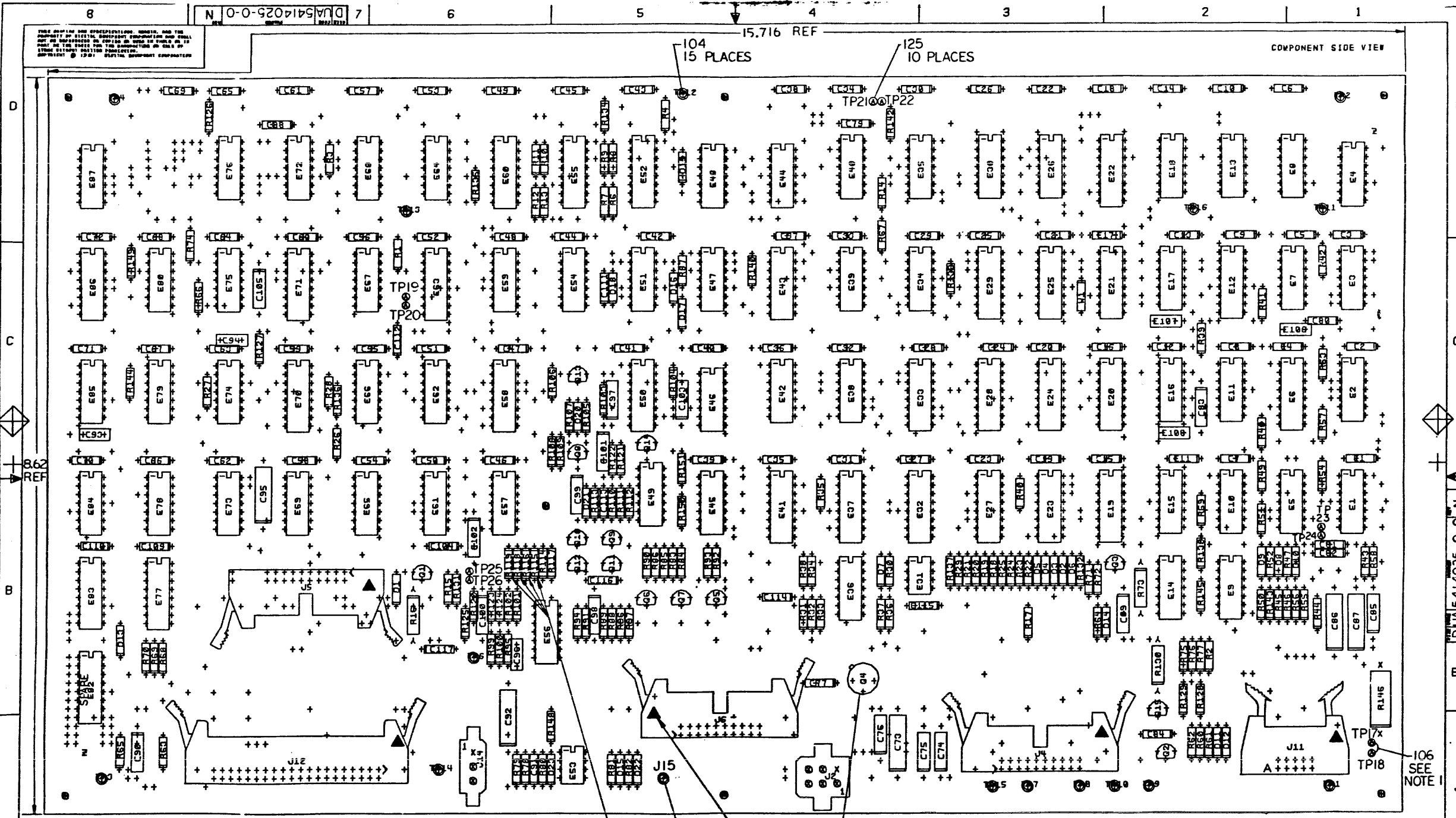


REVISIONS		
CHK	CHANGE NO.	REV.

TITLE	DC SERVO AND POWER SUPPLY	SIZE CODE	D CS	NUMBER	5413534-0-1	REV.	E
SCALE	SHEET 2 OF 2		DATE				

DCS 5413534-0-1-E

THIS DRAWING AND SPECIFICATIONS, WHICH ARE THE PROPERTY OF DIGITAL EQUIPMENT CORPORATION, SHALL NOT BE REPRODUCED OR TRANSMITTED IN ANY FORM OR BY ANY MEANS, ELECTRONIC OR MECHANICAL, INCLUDING PHOTOCOPYING, RECORDING, OR BY ANY INFORMATION STORAGE AND RETRIEVAL SYSTEM, WITHOUT THE WRITTEN PERMISSION OF DIGITAL EQUIPMENT CORPORATION.



CHG	NO	REV	DATE	BY	CHK'D	APP'D	REASON
751		REVISED & REDRAWN	02/05/75	M			
752		REVISION	02/05/75	M			
753		REVISION	02/05/75	M			
754		REVISION	02/05/75	M			
755		REVISION	02/05/75	M			
756		REVISION	02/05/75	M			
757		REVISION	02/05/75	M			
758		REVISION	02/05/75	M			
759		REVISION	02/05/75	M			
760		REVISION	02/05/75	M			

ETCH REV. E-P2

SIGNATURES		DATE
DRN. <i>[Signature]</i>		
CHK'D. <i>[Signature]</i>		
MECH. ENG. <i>[Signature]</i>		
PROJ. ENG. <i>[Signature]</i>		
PROD. <i>[Signature]</i>		
SCALE 2/1		
SHT. 1 OF 1		
NEXT HIGHER ASSY. B-DD-5414025-0		

TITLE	SIZE	CODE	NUMBER	REV
DRIVE LOGIC	D	UA	5414025-0-0	N

DRAWING NUMBER

DRAWING NUMBER

DRAWING NUMBER  
DUA 5414025-0-0

DRAWING NUMBER

DUA 5414025-0-0 N

10F1

106  
SEE NOTE 1

J11  
A

103

SEE NOTE 3

109

SEE NOTE 2

COMPONENT SIDE VIEW

125  
10 PLACES

104  
15 PLACES

15,716 REF

8 7 6 5 4 3 2 1

D C B A

8 7 6 5 4 3 2 1 NO# 291-061E

AUTOMATED BY PRTLST.3H(20)

PARTS LIST

LINE	ITEM	DOCUMENT NUMBER	PART NUMBER	DESCRIPTION	QTY	PFR VARIATION	REFERENCE DESIGNATOR
1	1	D-MU-5014024-0-0	5014024-00	DRILL AND ETCH BRD	1		R115,R116,R118,R119
2	2	Fds		RESISTOR,FINAL TEST, 1/4W, 1%	4		C93,C106-C108
3	3		1000023-00	330.0 MMF 100V 5%200PPM MICA	4		C94
4	4		1000024-00	470.0 MMF 100V 5%200PPM MICA	1		C85
5	5		1000064-00	3.9MFD 10V 10% S.TANT	1		C86
6	6		1000076-00	39 MFD 10V 10% S.TANT	1		C1-C6,C8-C39,C40-C45,C47-C49,
7	7		1001610-00	.01 MFD 50V +80-20% Z5U CER	79		C51-C53,C55-C58,C70,C71,C77, CONT. C79-C82,C84,C88,C104,C113-C117: C92,C97
8	8		1001776-00	1 MFD 35V 10% S.TANT	2		C87
9	9		1004812-00	15 MFD 20V 10% S.TANT	1		C101
10	10		1013466-16	.010 MFD 50V 10% X7R CER	1		C96
11	11		1010978-32	.047 MFD 50V 10% CER	1		C91
12	12		1013466-07	220.0 MMF 50V 5% CER	1		C89,C90
13	13		1013466-08	680.0 MMF 50V 10% X7R CER	2		C83
14	14		1013466-09	1000.0 MMF 50V 10% X7R CER	1		C98,C103,C105
15	15		1013466-10	3300.0 MMF 50V 5% CER	3		C99,C102
16	16		1013466-11	.22 MFD 50V +.0-20% Z5U CER	2		D1,D7-D20,D22,D23
17	17		1111577-00	1N 4454 TR= 4NS PIV= 50 S	17		D21
18	18		1113953-00	1N 5523D VZ= 5.1 1%	1		D2-D6
19	19		1114117-00	1N 4152 PIV=40 I=75	5		
20	20		1209941-02	*** THIS ITEM IS NOT USED ***	-		
21	21		1209941-03	PCB,HEADER LATCH	1		J11
22	22		1209941-04	PCB,HEADER LATCH	1		
23	23		1209941-05	PCB,HEADER 10PIN(2X10).100CC 90D	1		
24	24		1209941-06	*** THIS ITEM IS NOT USED ***	-		
25	25		1210385-01	*** THIS ITEM IS NOT USED ***	-		J14
26	26		1213922-02	CONN,P+S 03POS(1X03).165CC	1		J2
27	27		1213922-04	CONN,P+S 06POS(2X03).165CC	1		R48,R133-R136,R151
28	28		1300229-00	100.0 .25 x 5.0 x CF	6		

REVISION HISTORY		BASIC PART NO: 5414025		DRN:	ART SIMM	DATE: 18-APR-79	DIGITAL		
ENGI	REV NUMBER	REV	SECTION A OF A	CHK'D:	P. KENDRICK	DATE: 18-APR-79	TITLE PARTS LIST		
	INITIAL		SECTION VARIATION INDEX	DES.ENG:	MIKE BROWN	DATE: 18-APR-79	DRIVE LOGIC		
MB	15414025-CX001	1B	CA) 00	RESP.ENG.:	MIKE BROWN	DATE: 18-APR-79	DOCUMENT NUMBER		
MB	15414025-CX002	1C	CB)	SIZE/		CODE/	NUMBER	REV	
MZ	15414025-CX003	1D	CC)	MPG.ENG.:	D. LICK	DATE: 18-APR-79	K	PL	5414025-0-DBP
MB	15414025-CX005	1E	CD)	ASSEMBLY NUMBER:		TOP DOCUMENT NUMBER:	FILE NAME:		EDIT #
MB	15414025-CX010A	1F	CE)	ID-UA-5414025-0-0		B-DD-5414025-0	Z0496K-PLS		34
MZ	15414025-CX014	1H	CF)	THIS DRAWING AND SPECIFICATIONS HEREIN, ARE THE PROPERTY OF DIGITAL EQUIPMENT CORPORATION AND SHALL NOT BE REPRODUCED OR COPIED OR USED IN WHOLE OR IN PART AS THE BASIS FOR THE MANUFACTURE OR SALE OF ITEMS WITHOUT WRITTEN PERMISSION.					
SM	15414025-CX016	1J	CH)	COPYRIGHT (C) 1982. DIGITAL EQUIPMENT CORPORATION					
	15414025-CX017	1K	CJ)						

LINE	ITEM	DOCUMENT NUMBER	PART NUMBER	DESCRIPTION	QTY	PER VARIATION	REFERENCE DESIGNATOR
					00		
29	29		1300271-00	220.0 .25 W 5.0 % CF	4		R3,R14,R41,R143
30	30		1300315-00	470.0 .50 W 5.0 % CF	3		R15,R73,R130
31	31		1300316-00	470.0 .25 W 5.0 % CF	4		R1,R2,R79,R142
32	32		1300365-00	1.0 K .25 W 5.0 % CF	15	CONT	R15,R39,R40,R42,R47,R52,R54,R56, R61,R72,R74,R101,R106,R129,R140 R144
33	33		1300411-00	2.0 K .25 W 1.0 % RN55D-F10	1		R93,R124,R126
34	34		1300439-00	3.30 K .25 W 5.0 % CF	3		R4,R6-R13,R26-R28,R34,R35,R38, R43,R44,R49,R53,R57,R58,R75-R78, R80,R82,R92,R102,R105,R123,R125, R127,R138,R145,R148
35	35		1300447-00	4.70 K .25 W 5.0 % CF	36	CONT	R17,R70,R107
36	36		1300479-00	10.0 K .25 W 5.0 % CF	3		R18-R21,R45,R50,R66,R67,R71,R87, R122,R128,R131,R149
37	37		1302388-00	2.0 K .25 W 5.0 % CF	14	CONT	R59 R95 R55 R121 R91 R94 R88 R25 R64,R65,R83,R85,R113 R89,R150 R29,R30,R31,R36,R60,R63
38	38		1302391-00	20.0 K .25 W 5.0 % CF	1		
39	39		1302394-00	30.0 K .25 W 5.0 % CF	1		
40	40		1302398-00	470.0 K .25 W 5.0 % CF	1		
41	41		1302466-00	100.0 K .25 W 5.0 % CF	1		
42	42		1302514-00	39.0 K .25 W 5.0 % CF	1		
43	43		1302666-00	10.0 M .25 W 5.0 % CF	1		
44	44		1302871-00	1.21 K .25 W 1.0 % RN55D-F10	1		
45	45		1303044-00	100.0 K .25 W 1.0 % RN55D-F10	1		
46	46		1303047-00	464.0 .25 W 1.0 % RN55D-F10	5		
47	47		1303114-00	1.0 K .25 W 1.0 % RN55D-F10	2		
48	48		1303312-00	10.0 K .25 W 1.0 % RN55D-F10	6		
49	49		1304693-00	*** THIS ITEM IS NOT USED ***	-		
50	50		1304841-00	75.0 K .25 W 5.0 % CF	1		R81
51	51		1304862-00	*** THIS ITEM IS NOT USED ***	-		
52	52		1304870-00	6.31 K .25 W 1.0 % RN55D-F10	1		R33
53	53		1305124-00	287.0 .25 W 1.0 % RN55D-F10	2		R84,R86
54	54		1305265-00	39.20 K .25 W 1.0 % RN55D-F10	1		R24
55	55		1305337-00	3.65 K .25 W 1.0 % RN55D-F10	2		R96,R99
56	56		1305405-00	24.90 K .25 W 1.0 % RN55D-F10	1		R23
57	57		1309595-00	1.0 M .25 W 5.0 % CF	3		R46,R51,R132
58	58		1310632-00	2.37 K .25 W 1.0 % RN55D-F10	2		R109,R110
59	59		1317303-00	301.0 .25 W 1.0 % RN55D-F10	2		R97,R100
60	60		1312929-00	*** THIS ITEM IS NOT USED ***	-		
61	61		1312930-00	5.10 K .25 W 5.0 % CF	3		R68,R69,R137
62	62		1312989-00	17.80 K .25 W 1.0 % RN55D-F10	3		R22,R103,R104
63	63		1313589-00	1.40 K .25 W 1.0 % RN55D-F10	1		R90
64	64		1313846-00	2.26 K .25 W 1.0 % RN55D-F10	1		R32
65	65		1314041-00	3.01 K .25 W 1.0 % RN55D-F10	1		R37
66	66		1314491-00	*** THIS ITEM IS NOT USED ***	-		
67	67		1513489-00	2N 4401 NPN 350MW SI 40 20	3		Q7,Q10,Q12
68	68		1513490-00	2N 4403 PNP 350MW SI-40 30	10		Q1-Q3,Q5,Q6,Q8,Q9,Q11,Q13,Q15
69	69		1513697-00	2N 5640 FET N CHNHL	1		Q14
70	70		1909928-00	7416 INVERTER GATE-HEX 11	4		E9,E10,E68,E85
71	71		1910046-00	7442 DECODER-1 OF 10,BCD	1		E55

D	I	G	I	T	A	L	TITLE	DRIVE LOGIC	SECTION A	OF A	SIZE	CODE	DOCUMENT NUMBER	REV
												K PL 5414025-0-DBP	K	

LINE	ITEM	DOCUMENT NUMBER	PART NUMBER	DESCRIPTION	QTY	PER VARIATION	REFERENCE DESIGNATOR
					00		
72	72		1910268-00	DEC 751078 RECEIVER,LINE,DUAL,	4		E57,E61,E65,E87
73	73		1910298-00	741 OP AMP GEN PURP. COM	1		E31
74	74		1910363-00	7496 SHIFT REG.,5BIT	1		E63
75	75		1910536-00	74S10 NAND GATE-TRIPLE 3IN	1		C45
76	76		1910655-00	74157 HUX 2 TO 1 QUAD	2		E23,E24
77	77		1911341-00	75113 DRIVER,LINE,DUAL,NA	3		E77,E83,E86
78	78		1912107-01	324ANOP AMP,QUAD	1		E49
79	79		1912108-00	339 VOLT C4PRTR,QUAD	3		E5,E36,E56
80	80		1912541-00	79M05 VOLT REG,FX -5V	1		Q4
81	81		1912697-00	LS174 FF-D HEX W/CLEAR	2		E37,E41
82	82		1912799-00	LS00 NAND-GATE-QUAD 2IN,P	4		E7,E15,E44,E67
83	83		1912801-00	LS02 NOR-GATE-QUAD 2IN	4		E1,E30,E39,E54
84	84		1912803-00	LS04 INVERTER GATE,HEX	2		E79,E80
85	85		1912805-00	LS08 AND GATE-QUAD 2IN,PO	6		E13,E34,E38,E69,E72,E76
86	86		1912807-00	LS10 NAND GATE-TRIPLE 3IN	1		E18
87	87		1912810-00	LS20 NAND GATE-DUAL 4IN	1		E2
88	88		1912813-00	LS27 NOR GATE-TRIPLE 3IN	1		E73
89	89		1912816-00	LS32 OR GATE-QUAD 2IN,POS	4		E17,E35,E59,E84
90	90		1912824-00	LS74 FF-D DUAL,EDGE TRIGG	8		E3,E11,E16,E26,E42,E46,E62,E75
91	91		1912829-00	LS86 X-OR GATE-QUAD 2IN	3		E51,E66,E78
92	92		1912837-00	LS123 ONE SHOT-DUAL,RETRIG	1		E50
93	93		1912854-00	LS193 COUNTER,SYNCHR,4BIT,	3		E27,E28,E43
94	94		1912855-00	LS195 SHIFT REG.,4BIT PARA	5		E19-E22,E25
95	95		1912857-00	LS197 COUNTER,BINARY,PRESET	4		E4,E8,E13,E74
96	96		1912864-00	LS279 LATCH,QUAD-S-R	6		E6,E12,E29,E33,E58,E71
97	97		1913414-00	LS14 INVERTER GATE-HEX SC	2		E40,E48
98	98		1914156-00	LM 393 VOLT-COMPARATOR DUAL	1		E53
99	99		23368A2-00	A2-02,A2-04	1		E52
100	100		23371A2-00	A2-02,A2-04	1		E60
101	101		23444A2-00	A2-02,A2-04	1		E70
102	102		23445A2-00	A2-02,A2-04	1		E32
103	103		9007201-00	PAD,MOUNTING,COMPONENT	1		
104	104		9007791-00	TERM PCB 2POS SOLDER,TURRET	15		TP1-TP4,TP6-TP16
105	105		9009185-00	JUMPER, WIRE, INSULATED, BLACK B	1		W1
106	106		9105740-55	WIRE(WRAP) 30AWG KYNAR UL14	A/R		
107	107		1012784-00	.047 MFD 50V +80-20% CER	10		C7,C46,C50,C54,C69,C72,C109, CONT. C110,C111,C112
108	108		1911324-00	7414 INVERTER,HEX 1IN SCH	1		E64
109	109		1217377-00	TERM,TAB .205TAB CRIMP	1		J15
110	110		1005334-00	*** THIS ITEM IS NOT USED ***	-		
111	111		1305608-00	*** THIS ITEM IS NOT USED ***	-		
112	112		1303067-00	422.0 .25 W 1.0 % RN55D-F10	1		R108
113	113		1311465-00	43.0 .25 W 5.0 % CF	2		R111,R112
114	114		1018440-00	4700.0 MMF 50V 1% CER	1		C100
115	115		1016549-00	47 MFD 10V +50-10% AL EL	2		C73,C95
116	116		1017472-00	10 MFD 35V +50-10% AL EL	3		C74,C75,C76
117	117		1300309-00	390.0 .25 W 5.0 % CF	1		R62
118	118		1305126-00	619.0 .25 W 1.0 % RN55D-F10	1		R114

ID	SIZE	CODE	DOCUMENT NUMBER	REV
			5414025-0-DBP	K

AUTOMATED BY FRTLST.3H(20)

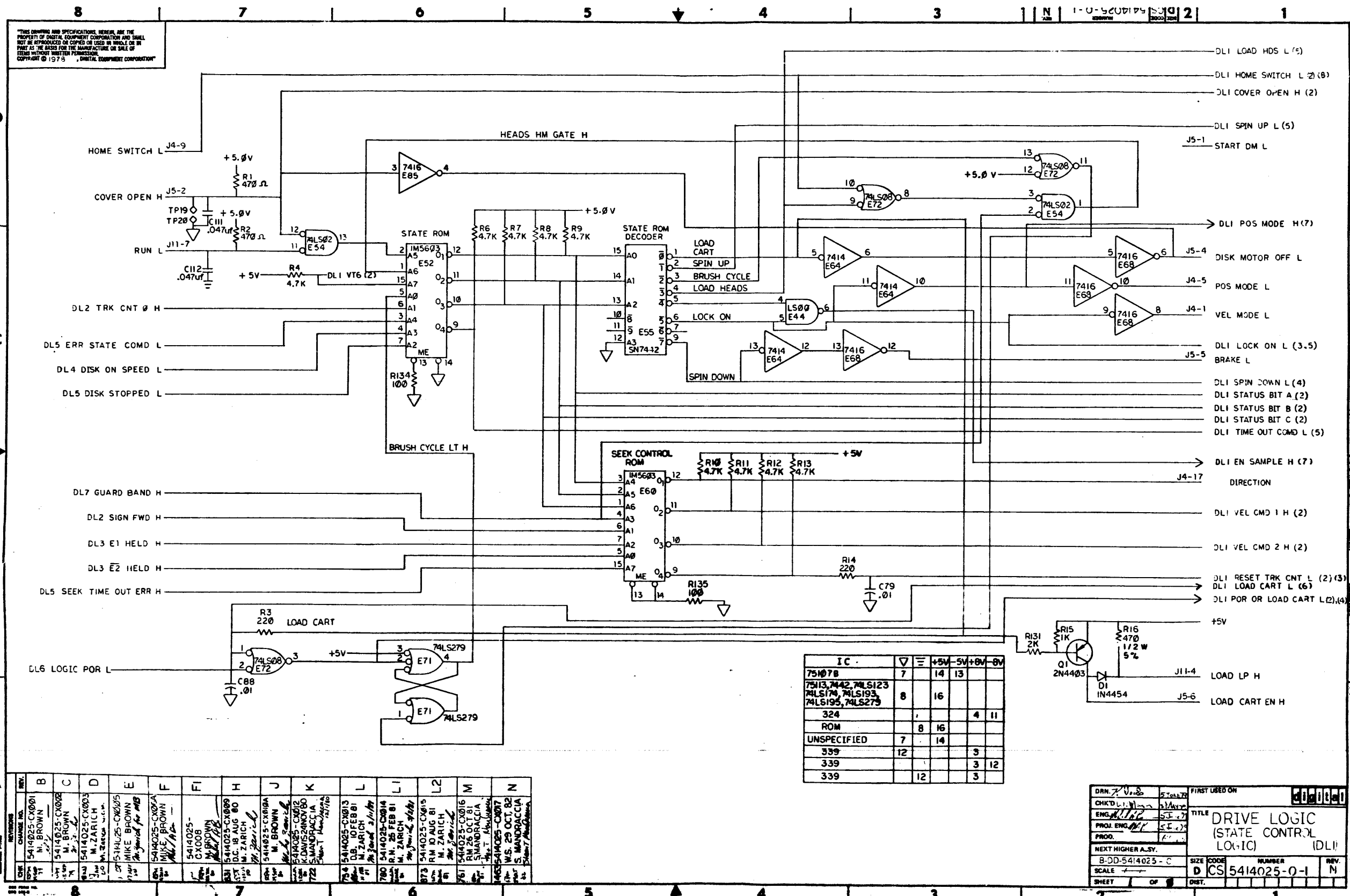
PARTS LIST

SHEET A4 OF A4

LINE ITEM	DOCUMENT NUMBER	PART NUMBER	DESCRIPTION	QTY PER VARIATION 00	REFERENCE DESIGNATOR
119	119	1309417-00	27.40 K .25 W 1.0 3 RN55D-F10	1	R120
120	120	1313155-00	604.0 .25 W 1.0 3 RN55D-F10	1	R117
121	121	1910544-00	74S74 FF-D DUAL,EDGE TRIGG	1	E47
122	122	1216832-02	PCB,HEADER 40POS(2X20).100CC 90D	1	J12
123	123	1216832-00	PCB,HEADER 20POS(2X10).100CC 90D	3	J4,J5,J6
124	124	1305653-00	22.0 1.0 W10.0 3 CC	1	R146
125	125	9009149-01	PIN,STAKING 0.235 HX0.345LG SQUA	10	TP17-TP26

D	I	C	I	T	R	L	TITLE	SECTION A OF A	SIZE/ CODE	DOCUMENT NUMBER	REV
							DRIVE LOGIC		K PL	5414025-0-DBP	K





THIS DRAWING AND SPECIFICATIONS HEREIN ARE THE PROPERTY OF DIGITAL EQUIPMENT CORPORATION AND SHALL NOT BE REPRODUCED OR COPIED OR USED IN WHOLE OR IN PART AS THE BASIS FOR THE MANUFACTURE OR SALE OF ITEMS WITHOUT WRITTEN PERMISSION. COPYRIGHT © 1979, DIGITAL EQUIPMENT CORPORATION

REV.	BY	CHKD.	DATE
1	M. BROWN		
2	M. BROWN		
3	M. BROWN		
4	M. BROWN		
5	M. BROWN		
6	M. BROWN		
7	M. BROWN		
8	M. BROWN		
9	M. BROWN		
10	M. BROWN		
11	M. BROWN		
12	M. BROWN		
13	M. BROWN		
14	M. BROWN		
15	M. BROWN		
16	M. BROWN		
17	M. BROWN		
18	M. BROWN		
19	M. BROWN		
20	M. BROWN		

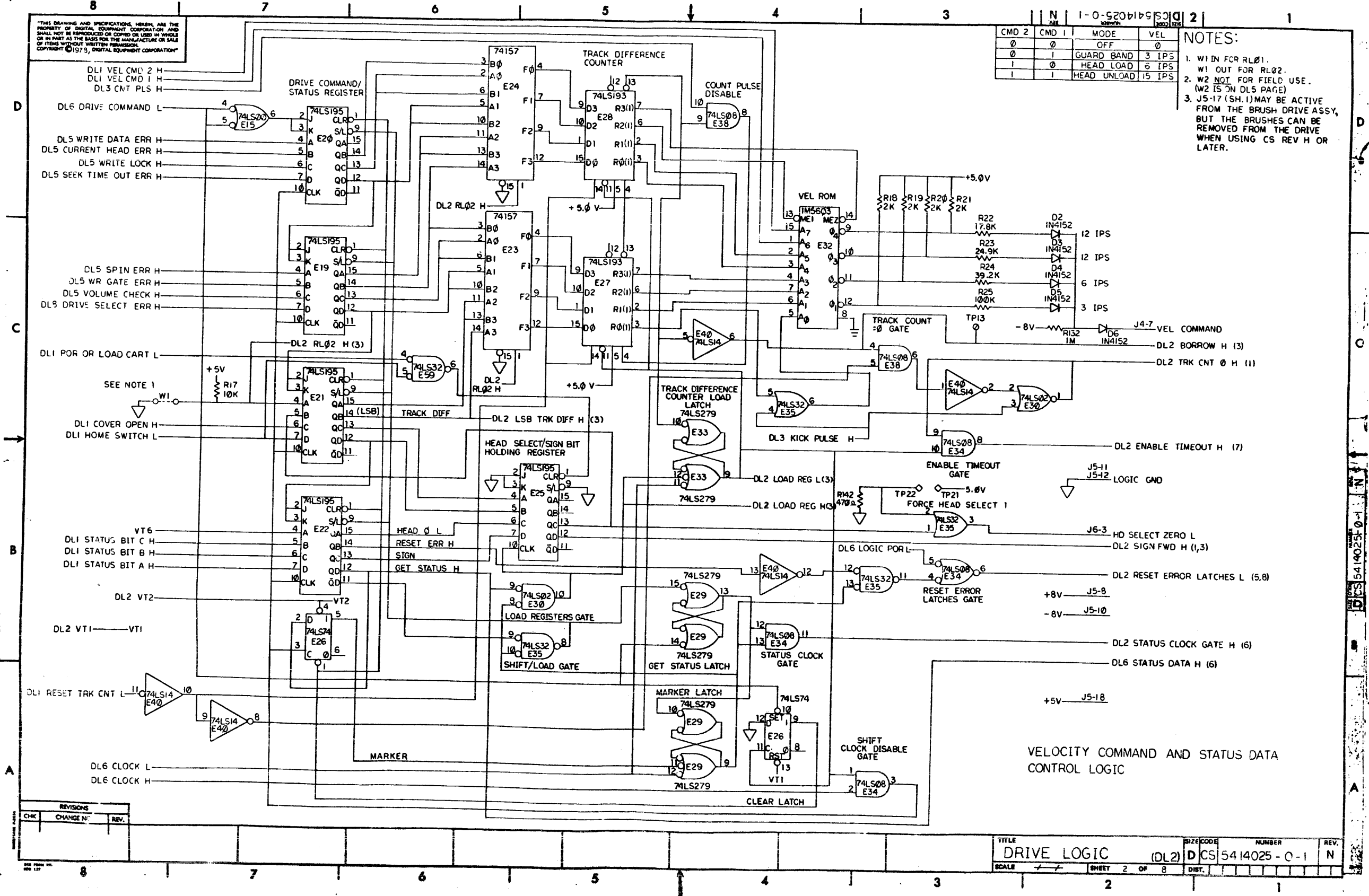
IC	Q	R	+5V	-5V	+0V	-0V
75107B	7	14	13			
7513, 7442, 74LS123	8	16				
74LS174, 74LS193, 74LS195, 74LS279				4	11	
324						
ROM	8	16				
UNSPECIFIED	7	14				
339	12			3		
339				3	12	
339		12		3		

DRN: J. V. B.	FIRST USED ON	
CHKD: L. J. W.	TITLE	DRIVE LOGIC (STATE CONTROL LOGIC) (DLI)
ENG: M. B.	PROJ. ENG: M. B.	
PROJ. ENG: M. B.	SCALE	
NEXT HIGHER A.S.Y.	SIZE CODE	D CS
B-00-5414025-C	NUMBER	5414025-0-1
SHEET 1 OF 8	REV	N

THIS DRAWING AND SPECIFICATIONS HEREIN ARE THE PROPERTY OF DIGITAL EQUIPMENT CORPORATION AND SHALL NOT BE REPRODUCED OR COPIED OR USED IN WHOLE OR IN PART AS THE BASIS FOR THE MANUFACTURE OR SALE OF ITEMS WITHOUT WRITTEN PERMISSION. COPYRIGHT © 1975, DIGITAL EQUIPMENT CORPORATION

CMD 2	CMD 1	MODE	VEL
0	0	OFF	0
0	1	GUARD BAND	3 IPS
1	0	HEAD LOAD	6 IPS
1	1	HEAD UNLOAD	15 IPS

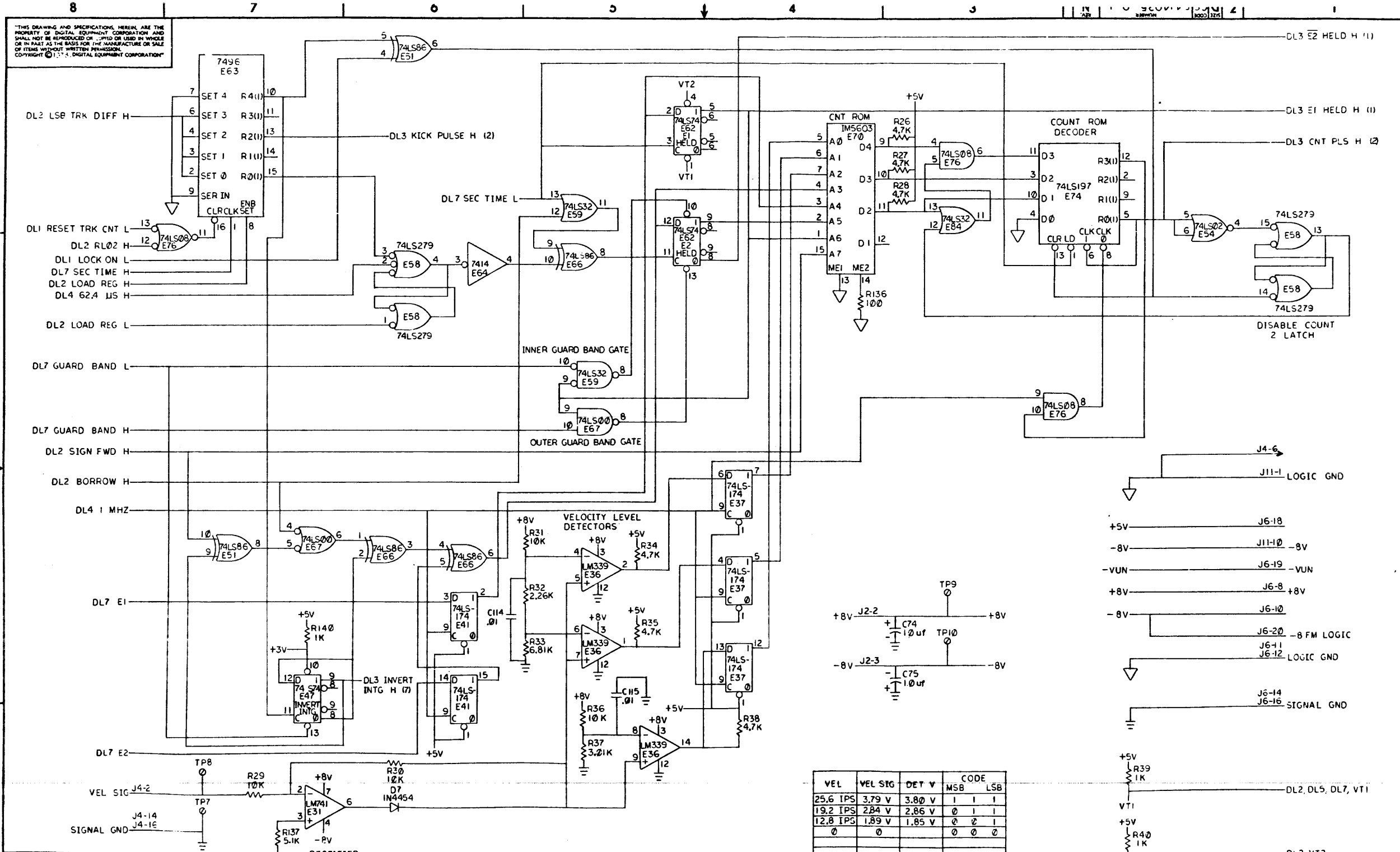
- NOTES:
- W1 IN FOR RL01.  
W1 OUT FOR RL02.
  - W2 NOT FOR FIELD USE.  
(W2 IS ON DL5 PAGE)
  - J5-17 (SH.1) MAY BE ACTIVE FROM THE BRUSH DRIVE ASSY, BUT THE BRUSHES CAN BE REMOVED FROM THE DRIVE WHEN USING CS REV H OR LATER.



D-65-5414025-B-1 2 OF 8 RL02

REVISIONS		
CHK	CHANGE NO.	REV.

TITLE	DRIVE LOGIC (DL2)	SIZE/CODE	D CS 5414025-0-1	NUMBER	N	REV.	N
SCALE	1:1	SHEET	2 OF 8	DIST.			



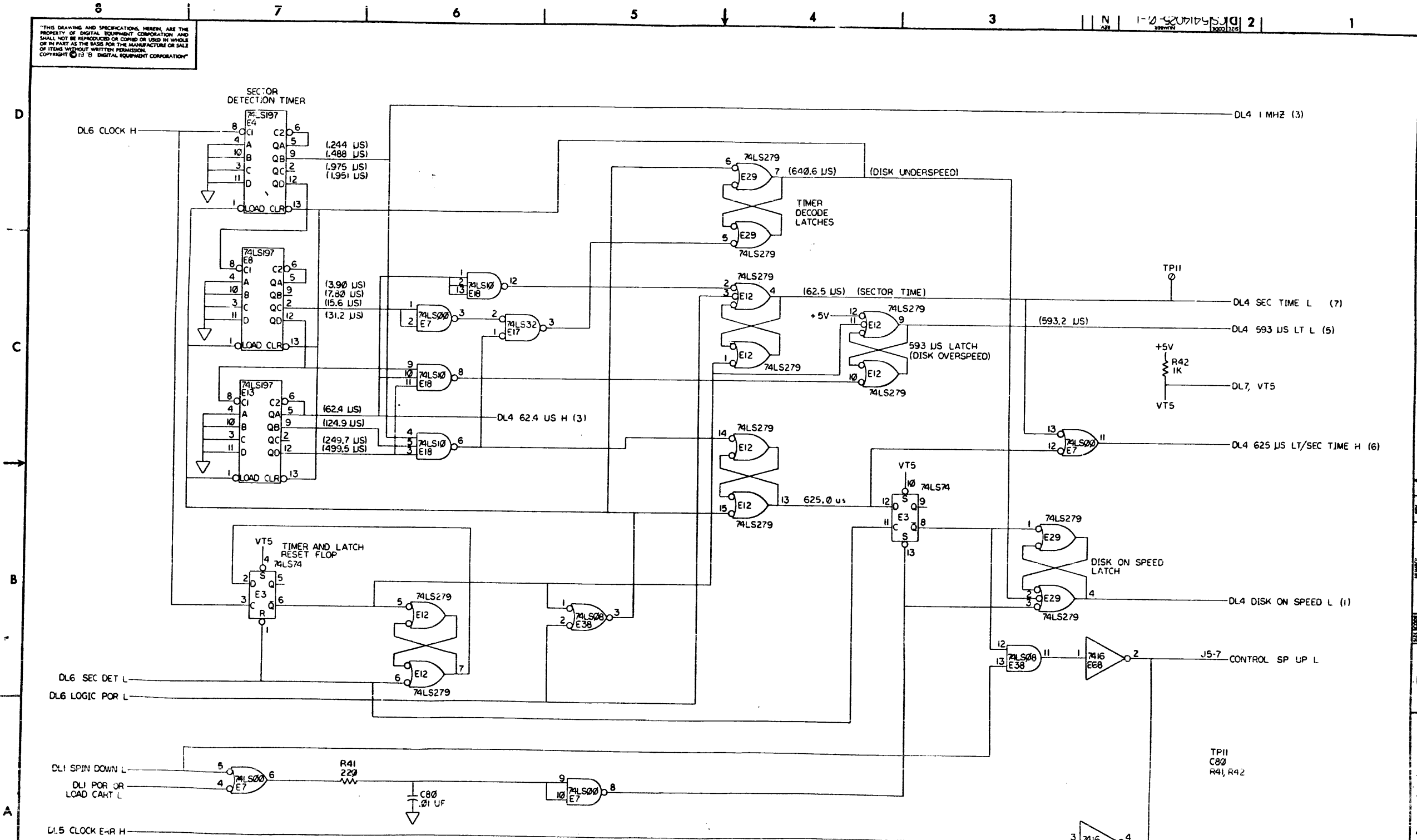
THIS DRAWING AND SPECIFICATIONS, HEREIN, ARE THE PROPERTY OF DIGITAL EQUIPMENT CORPORATION AND SHALL NOT BE REPRODUCED OR COPIED OR USED IN WHOLE OR IN PART AS THE BASIS FOR THE MANUFACTURE OR SALE OF ITEMS WITHOUT WRITTEN PERMISSION. COPYRIGHT © 1974, DIGITAL EQUIPMENT CORPORATION.

REVISIONS		
CHK	CHANGE NO.	REV.

TITLE DRIVE LOGIC (DL3) SIZE CODE NUMBER REV. DCS 5414025-0-1 N  
 SCALE SHEET 3 OF 3 DIST.

D-5-5414025-0-1 3 OF 3 R192

"THIS DRAWING AND SPECIFICATIONS HEREIN ARE THE PROPERTY OF DIGITAL EQUIPMENT CORPORATION AND SHALL NOT BE REPRODUCED OR COPIED OR USED IN WHOLE OR IN PART AS THE BASIS FOR THE MANUFACTURE OR SALE OF ITEMS WITHOUT WRITTEN PERMISSION. COPYRIGHT © 1975 DIGITAL EQUIPMENT CORPORATION"

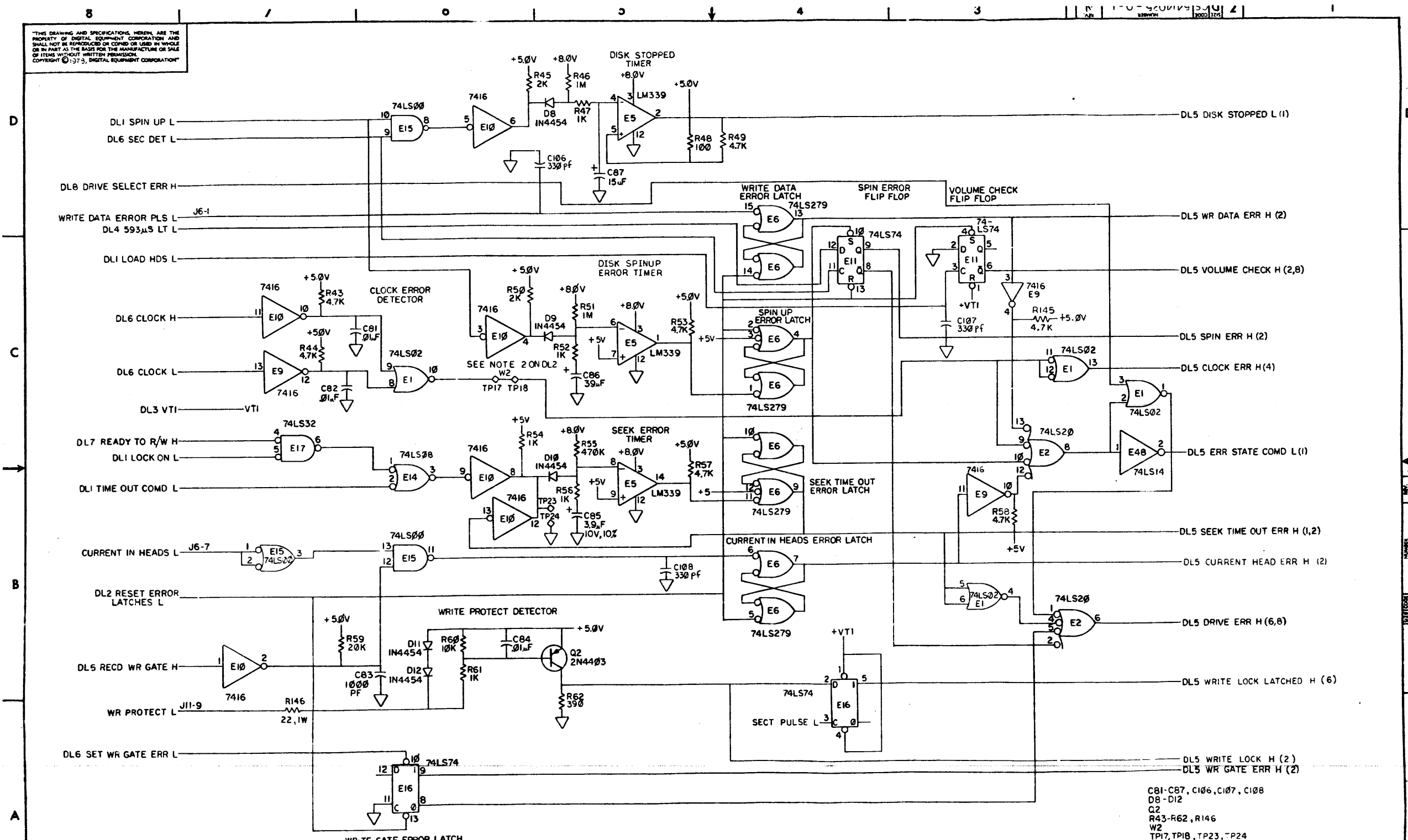


D-C-5-5414025-0-1 4 OF 8 RL02

REVISIONS		
CHK	CHANGE	REV.

TITLE DRIVE LOGIC (DISK SPEED CONTROL) (DL4) DCS 5414025-0-1 NUMBER N REV. N  
 SCALE SHEET 4 OF 8 DIST.

"THIS DRAWING AND SPECIFICATIONS HEREIN ARE THE PROPERTY OF DIGITAL EQUIPMENT CORPORATION AND SHALL NOT BE REPRODUCED OR COPIED OR USED IN WHOLE OR IN PART AS THE BASIS FOR THE MANUFACTURE OR SALE OF ITEMS WITHOUT WRITTEN PERMISSION. COPYRIGHT © 1973, DIGITAL EQUIPMENT CORPORATION"

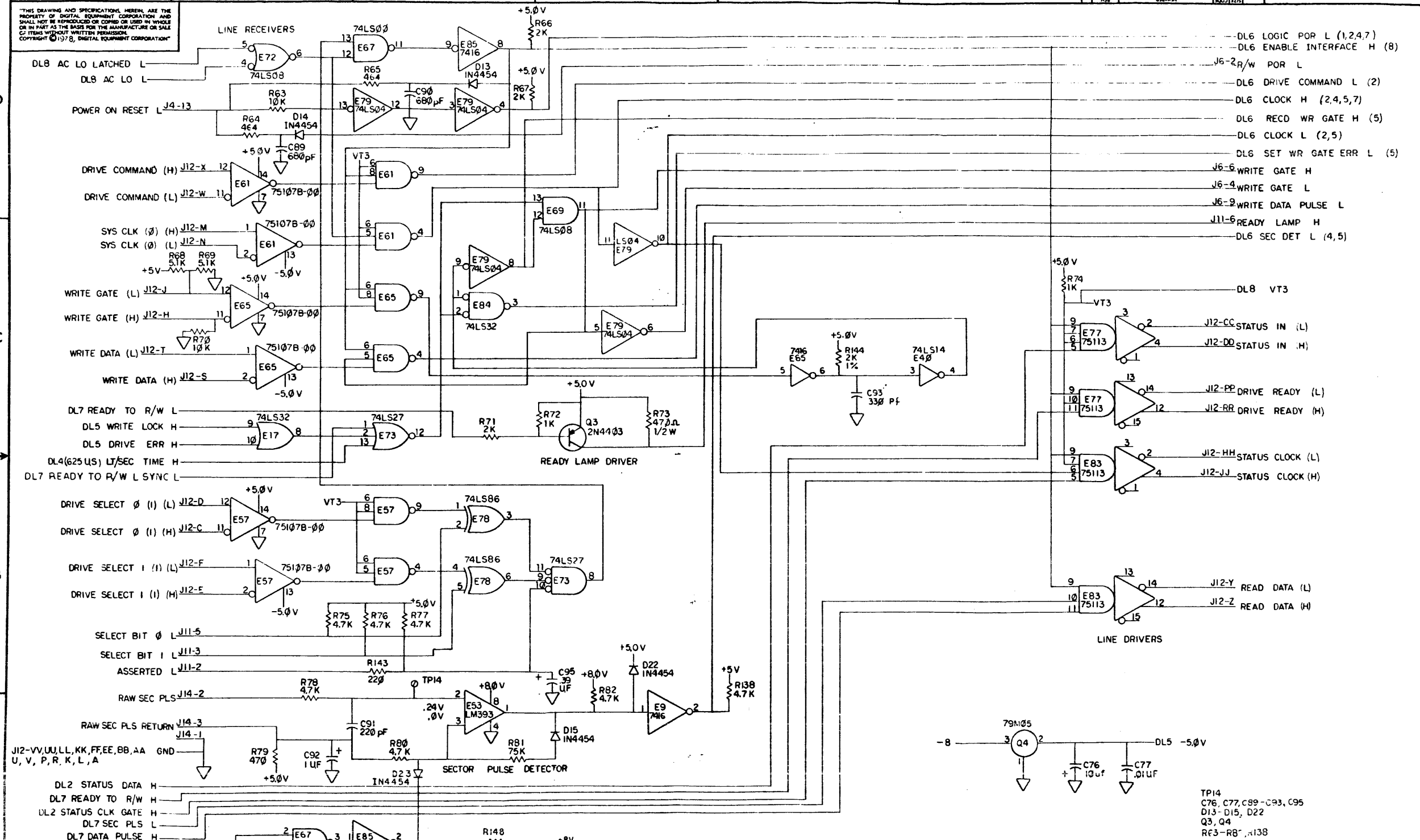


C81-C87, C106, C107, C108  
 D8-D12  
 Q2  
 R43-R62, R146  
 W2  
 TP17, TP18, TP23, TP24

REVISIONS		
CHK	CHANGE NO.	REV.

TITLE	DRIVE LOGIC (ERROR LOGIC) (DL5)	SIZE CODE	D CS	NUMBER	5414025-0-1	REV.	N
SCALE		SHEET	5	OF	8	DIST.	

D-LS-5414025-0-1 5 OF 8 R102



THIS DRAWING AND SPECIFICATIONS HEREIN ARE THE PROPERTY OF DIGITAL EQUIPMENT CORPORATION AND SHALL NOT BE REPRODUCED OR COPIED OR USED IN WHOLE OR IN PART AS THE BASIS FOR THE MANUFACTURE OR SALE OF ITEMS WITHOUT WRITTEN PERMISSION. COPYRIGHT © 1978, DIGITAL EQUIPMENT CORPORATION.

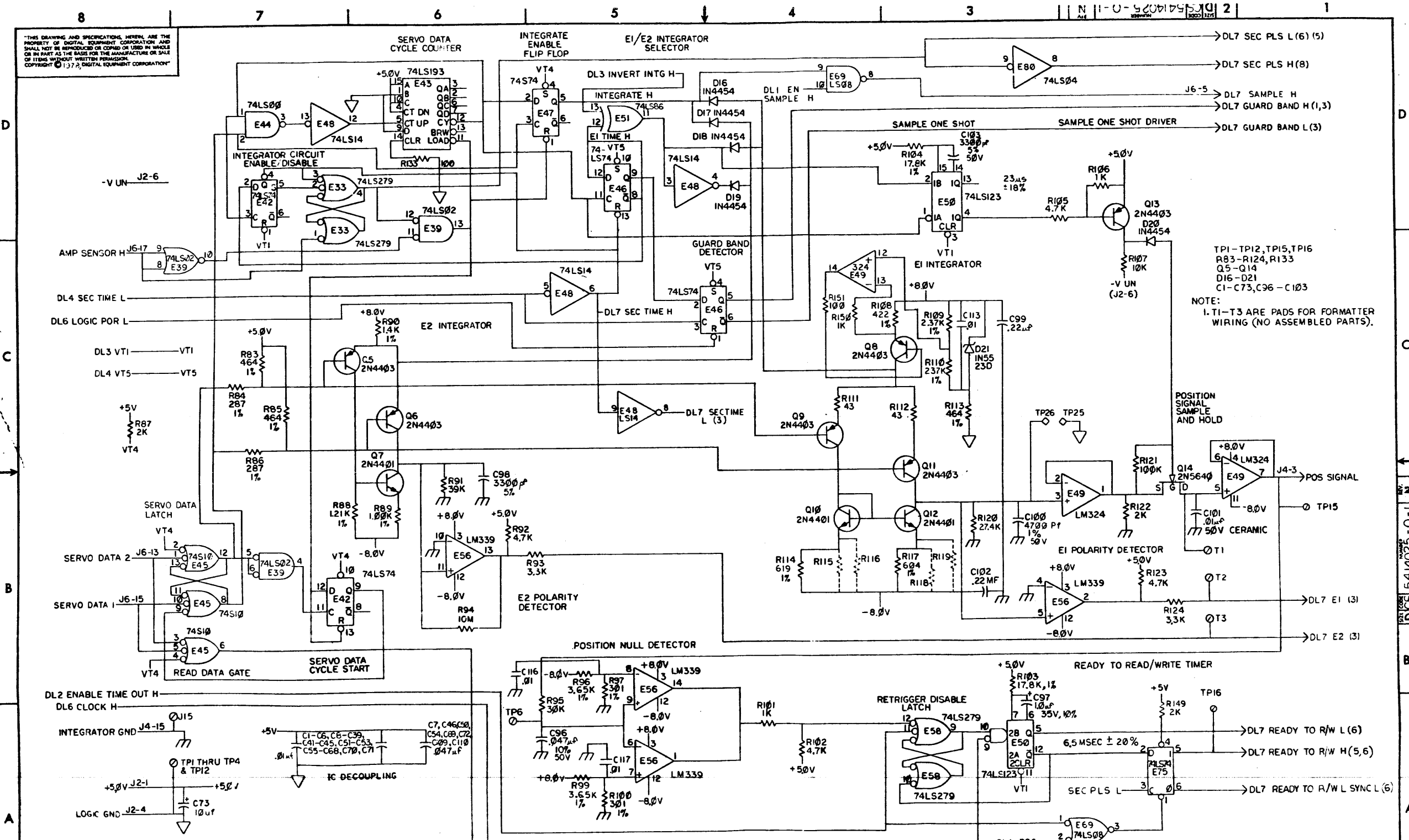
REV.	CHANGE NO.	REV.

DL6 LOGIC POR L  
DL1 LOAD CART L

TITLE	DRIVE LOGIC INTERFACE LOGIC (DL6)	SIZE/COOE	NUMBER	REV.
SCALE	SHEET 6 OF 8	DIST.	DCS 5414025-0-1	N

D-CS-5414025-0-1 6 OF 8 RL02

THIS DRAWING AND SPECIFICATIONS HEREIN ARE THE PROPERTY OF DIGITAL EQUIPMENT CORPORATION AND SHALL NOT BE REPRODUCED OR COPIED OR USED IN WHOLE OR IN PART AS THE BASIS FOR THE MANUFACTURE OR SALE OF ITEMS WITHOUT WRITTEN PERMISSION. COPYRIGHT © 1972, DIGITAL EQUIPMENT CORPORATION.



TPI-TPI2, TPI5, TPI6  
R83-R124, R133  
Q5-Q14  
D16-D21  
C1-C73, C96-C103

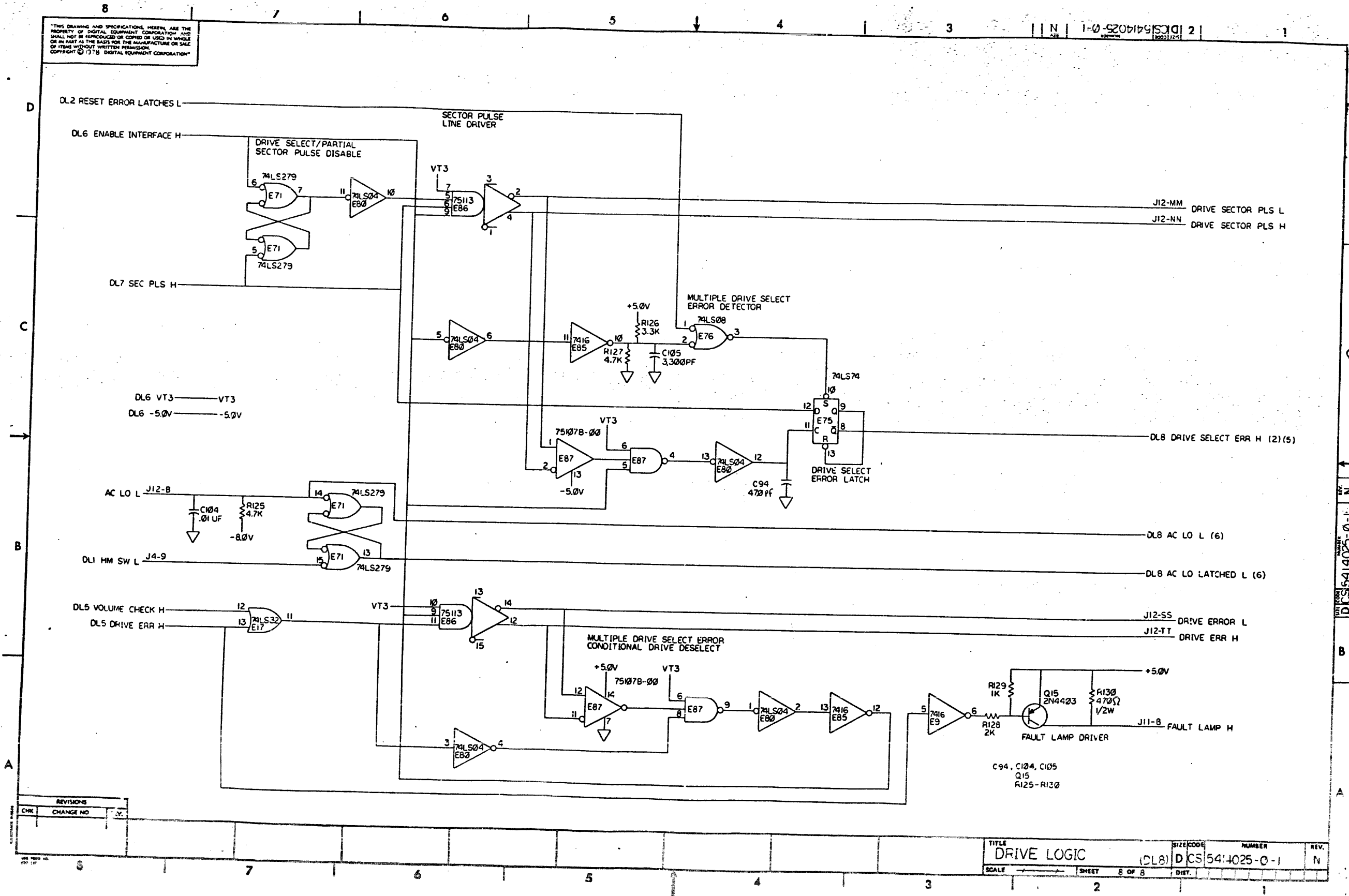
NOTE:  
1. T1-T3 ARE PADS FOR FORMATTER  
WIRING (NO ASSEMBLED PARTS).

CHK	CHANGE NO.	REV.

TITLE	DRIVE LOGIC (INTEGRATOR LOGIC) DL7	SIZE CODE	D	NUMBER	5414025-0-1	REV.	N
SCALE		SHEET	7	OF	8	DATE	

D-5-5414025-0-1 7 OF 8 RL02

THIS DRAWING AND SPECIFICATIONS HEREIN ARE THE PROPERTY OF DIGITAL EQUIPMENT CORPORATION AND SHALL NOT BE REPRODUCED OR COPIED IN WHOLE OR IN PART AS THE BASIS FOR THE MANUFACTURE OR SALE OF ITEMS WITHOUT WRITTEN PERMISSION. COPYRIGHT © 1978 DIGITAL EQUIPMENT CORPORATION



REVISIONS		
CHK	CHANGE NO	BY

TITLE	DRIVE LOGIC	SIZE CODE	(DL8) DCS 5414025-C-1	NUMBER	8 OF 8	REV.	N
SCALE		SHEET		DIST.			

D-C5-5414025-0-1 8 OF 8 R102